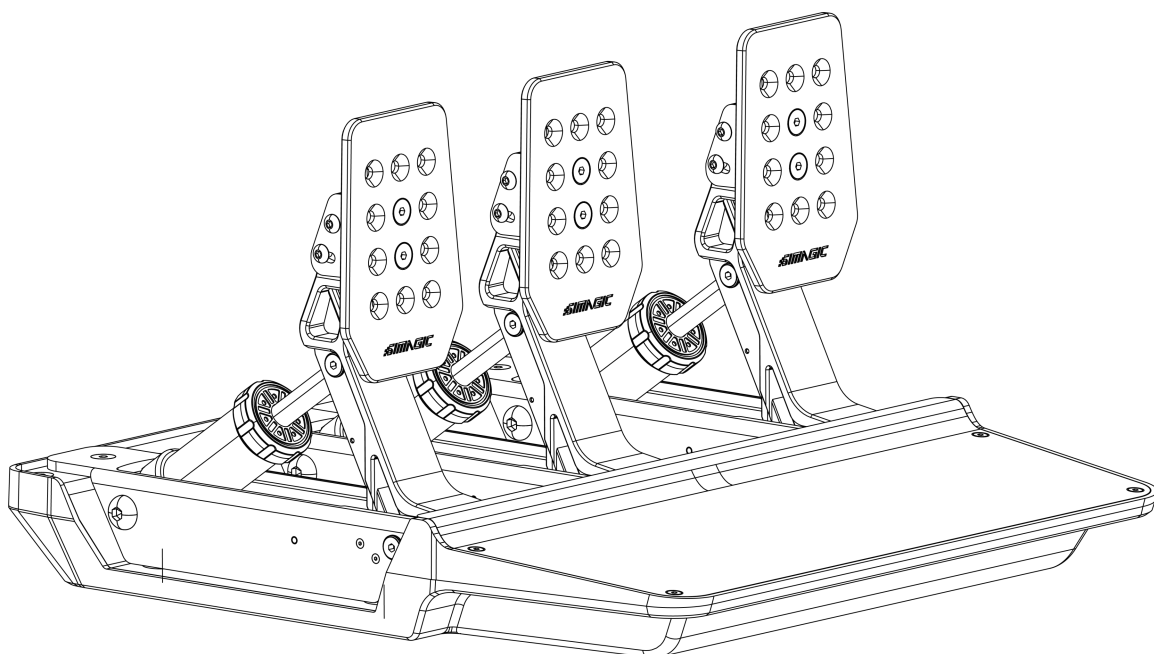


SIMAGIC

**KEEP
RACING**



P500

USER MANUAL

Contents

1. About P500	03
2. P500 Introduction	04
2.1 Overview	04
2.2 Specifications	05
2.3 Package Contents	06
2.4 Optional Accessories	07
3. Instruction of Use	08
3.1 Quick Guide	11
3.2 Adjusting the Pedals	14
3.3 Optional Accessories Installation	15
4. Software_Simpro Mananger	16
5. Warranty Description	18
6. Safety	20
7. Contact us	21



Thank you for choosing

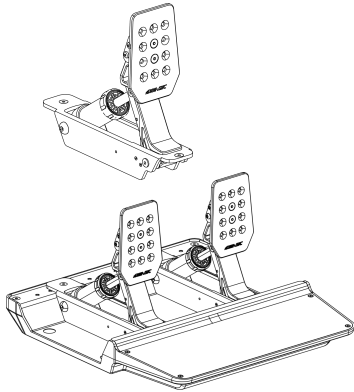


Before using your new P500, please review this manual for essential information about your health and safe usage of the product.

KEEP RACING!

2.P500 Introduction

2.1 Overview



P500 Modular Pedals

Length x Width x Height: 71.6 x 228.8 x 196.6 (mm)

Net Weight (Single Clutch): 0.7 kg

Length x Width x Height: 330.4 x 355.1 x 209.3 (mm)

Net Weight (Dual): 3.8 kg

- **High-Quality Construction:** The P500 utilizes die-cast aluminum alloy and high-precision CNC machining, offering a smart, refreshed design that is both durable and lightweight.
- **Dual Sensor Power:** Equipped with a 100kg load cell and a Hall angle sensor for precise feedback.
- **Ergonomic and Adjustable:** Enjoy wider adjustment options than other pedals on the market, ensuring you can find the perfect angle for any setup.
- **Customizable Resistance:** The P500 comes with various springs and elastomers, allowing you to freely adjust the force to match your preferences.
- **Sleek Setup:** The P500 includes dedicated seat or floor mount assemblies, ensuring a clean and secure installation.
- **Backed by SimPro Manager:** Gain advanced customization and control with our SimPro Manager software.

2.2 Specifications

Product Name	P500	C-P500
Resolution	12Bit (4096) 【High accuracy sensor】	12Bit (4096) 【High accuracy sensor】
USB connection	PC、SIMAGIC wheelbase	PC、SIMAGIC wheelbase
Adjustable Spring Force Level	Throttle、Brake	Clutch
Hall angle sensor/ Loadcell sensor	<ul style="list-style-type: none"> • Throttle – Hall angle sensor • Brake–Hall angle sensor/Loadcell sensor 	<ul style="list-style-type: none"> • Clutch–Hall angle sensor (C-P500)
Loadcell sensor	100KG	100KG
Pedal Plate	CNC Anodized Aluminum Alloy	CNC Anodized Aluminum Alloy
Angle/Position Adjustment	Supported	Supported
Adjustable Linearity	Supported	Supported
Adjustable Brake Force	Supported	Supported
Dimensions (L x W x H)	330.4mm x 355.1mm x 209.3mm	71.6mm x 228.8mm x 196.6mm
Net Weight	3.8kg	0.7kg
Package Contents	Pedal Springs, Pedal Control Box, Cable, 3M Stickers, Wall Support Bracket, USB Cable, Installation Kit	Pedal Springs, Pedal Control Box, Cable, 3M Stickers, USB Cable, Installation Kit
Optional Accessories	<ul style="list-style-type: none"> • C-P500 Clutch Module • P-HPR Haptic pedals Reactor • P-HPR Neo Rumble Haptic Pedal Reactor 	<ul style="list-style-type: none"> • P-HPR Haptic pedals Reactor • P-HPR Neo Rumble Haptic Pedal Reactor

2.3 Package Contents

P500 Modular Pedal Package(accessories) includes:

- Countersunk Head Screw M5-10 x 8
- Countersunk Head Screw M8-20 x 4
- Roll in T-Nut with Ball Spring M8-40 x 4
- M8 Flange nut x 4
- Brown Spring x 1
- Yellow Spring x 1
- Blue Spring x 1
- Black Spring x 1
- Screw Driver x 1
- Brake Washers x 3
- Wrench x 1
- Hook and Loop Fasteners x 1
- Lubricating grease x 1
- Allen Key x 4 (2mm/2.5mm/3mm/5mm)

2.4 Optional Accessories

- P-HPR Neo Haptic Motors
- P-HPR Haptic Pedal Reactor

3. Instruction for Use

Thank you for purchasing the SIMAGIC P500 pedals!

Before setting up the pedals, carefully read all the documentation that came with the package.

- For information about firmware upgrades, please check www.simagic.com/download. * The related files are game adaptation files developed by SIMAGIC for SIMAGIC-compatible devices. To safeguard users' legal rights and interests, please download all files through SIMAGIC's designated channels.
- Please visit **Simagic official** YouTube channel (<https://www.youtube.com/@simagicofficial6890>) for tutorial videos showcasing different pedal setup options and usage techniques. Learn more about the development behind our P500 pedals.
- Please visit www.simagic.com/telemetry-support to access the list of games supported by this product. Note that using this product in non-supported games may result in certain functions not working as intended.



The pedals are intended for indoor use only



Recommended ages 15 and above



3.1 Assumbly Guide

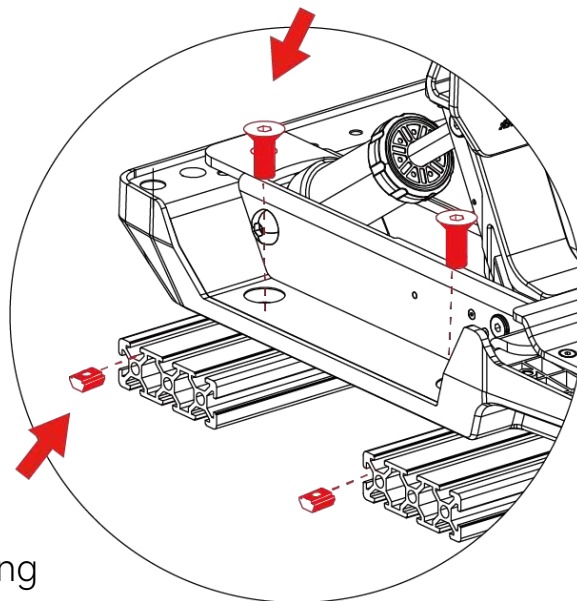
This section provides instructions for setting up and initializing your pedals. The pedals are intended for use only when securely mounted to a sim racing rig. please avoid using the pedals without proper mounting, as they may shift during operation and could potentially cause injury.

Please avoid using the pedals without proper mounting, as they may shift during operation and could potentially cause injury

3.1.1 Precautions for Installing on the Finished

It's recommended to secure the pedals after completing the main assembly.
*Be sure to leave the mounting holes for the finished brackets on both sides.

Countersunk Head Screw M8-20

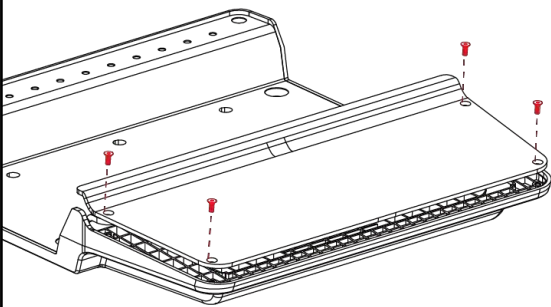


Roll in T-Nut
with Ball Spring
M8-40

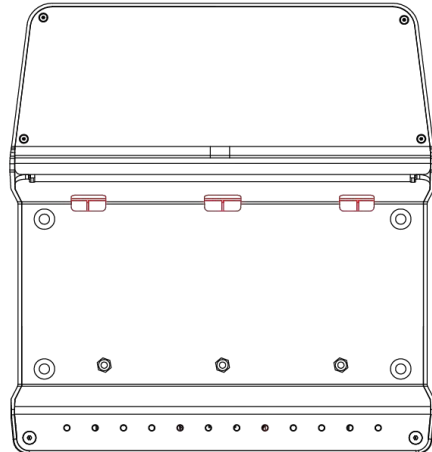
3.1.2 P500 Assembly

P500 Dual Pedal Assembly Steps

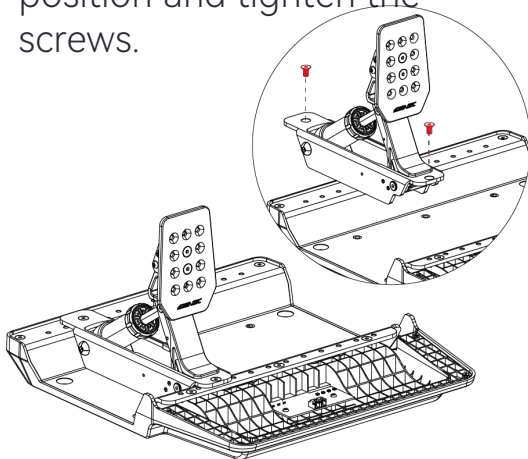
① Loosen the four screws on the cover plate and remove the cover plate.



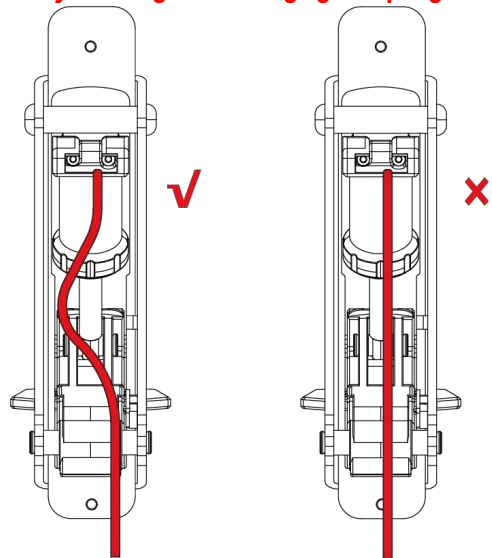
② Thread the cable through the nearest cable outlet hole.



③ Place the brake module in position and tighten the screws.



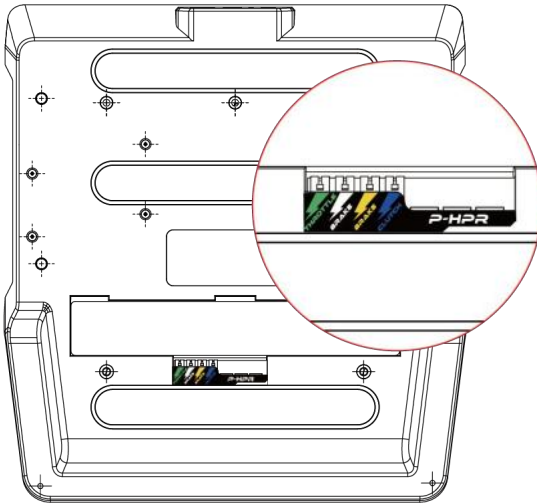
Note: Leave some slack in the black brake cable to prevent it from becoming too tight and possibly breaking when changing the spring.



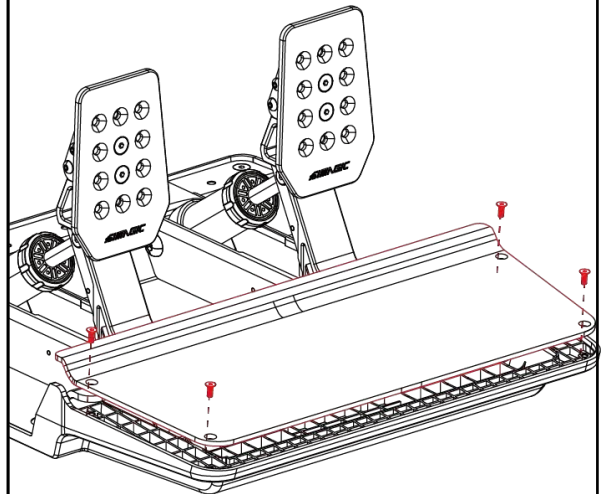
3.1.2 P500 Assembly

P500 Dual Pedal Assembly Steps

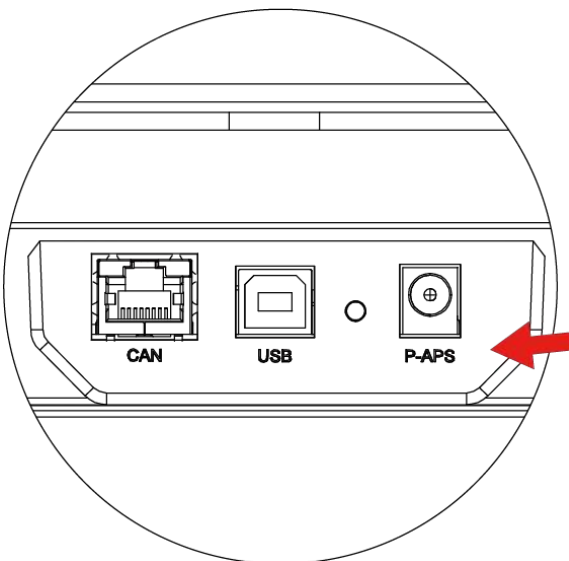
④ Flip the pedal to the bottom for wiring. Insert the cables into the corresponding connectors according to their colors.



⑤ Replace the cover plate and tighten the screws.



3.1.3 Connect (USB and separate power supply)



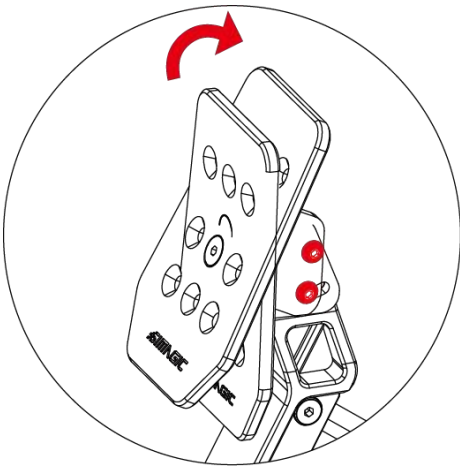
Separate Power Supply Port
(If using P-HPR, P-SRH, or P-SRB, a separate power supply is required.)

3.2 Adjusting the Pedals

The pedals come pre-configured in their default setup, straight out of the box, to provide you with the most immersive experience possible. This configuration mirrors the setup found in real race cars. We suggest spending some time driving to get accustomed to this setup.

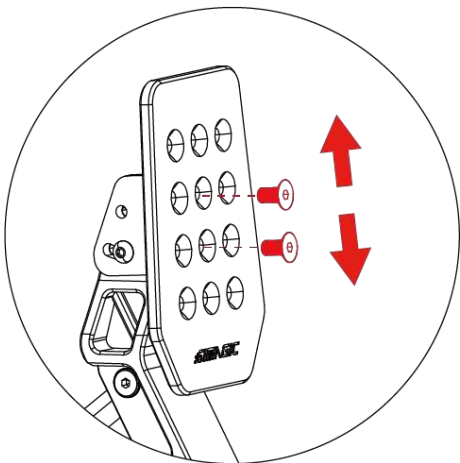
Please refrain from making eye contact with the lubrication grease and ensure to thoroughly wash your hands after making any adjustments

3.2.1 Adjust the pedal face angle



Loosen the two screws on the side of the pedal to adjust the angle of the pedal face.

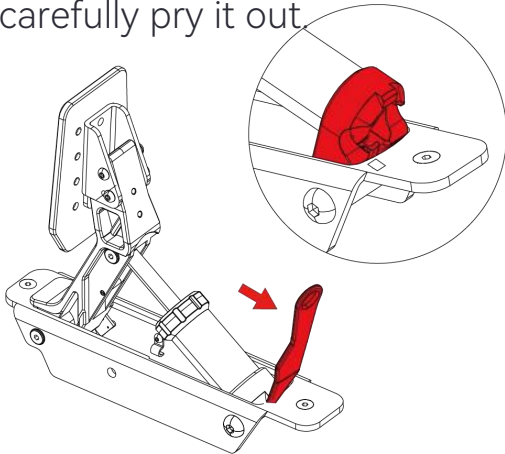
3.2.2 Pedal Plate Height Adjustment



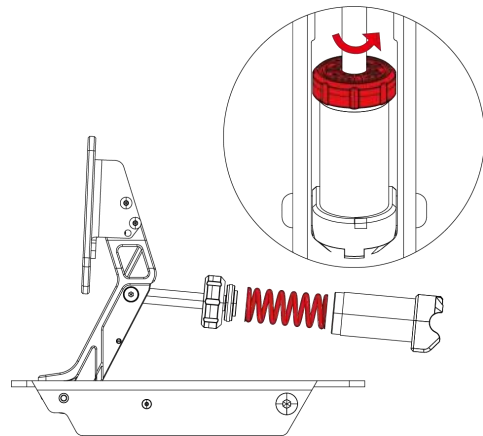
Loosen the two screws on the front of the pedal to adjust the pedal's height and left-right position.

3.2.3 Replacing the Springs

① Remove the spring barrel. Place a pry bar at the bottom side of the spring barrel and apply downward force to carefully pry it out.



② Loosen the top cover, remove the spring, and replace it with a spring that provides the desired feel.

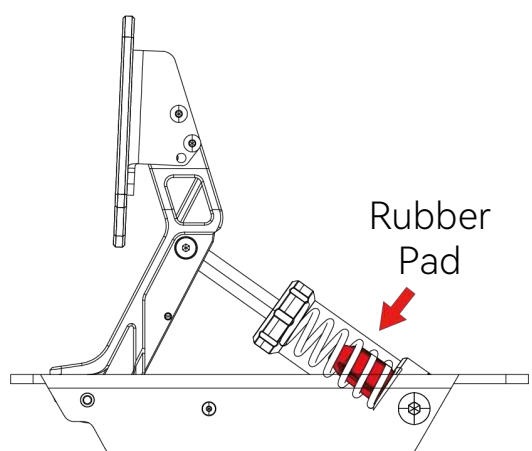


Add brake pads to increase pedal feel (recommended to do this only after installing the bracket; **handle carefully to avoid injury**)

Before

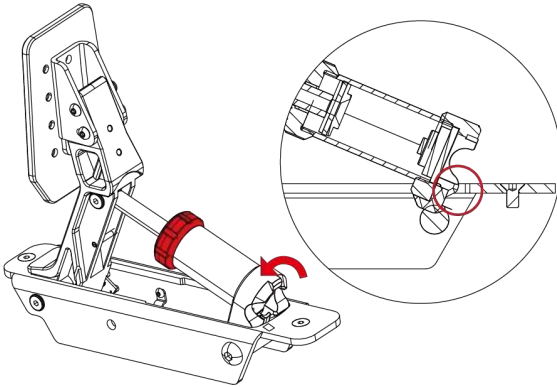


After

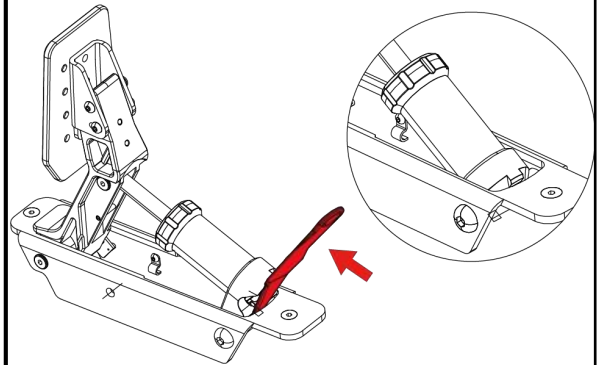


3.2.3 Replacing the Springs

③ Reattach the spring barrel, screw on the top cover, and place the spring barrel into its slot.

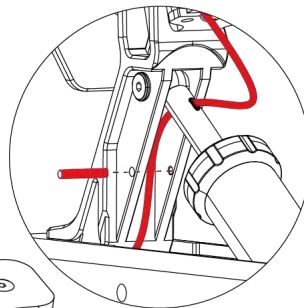
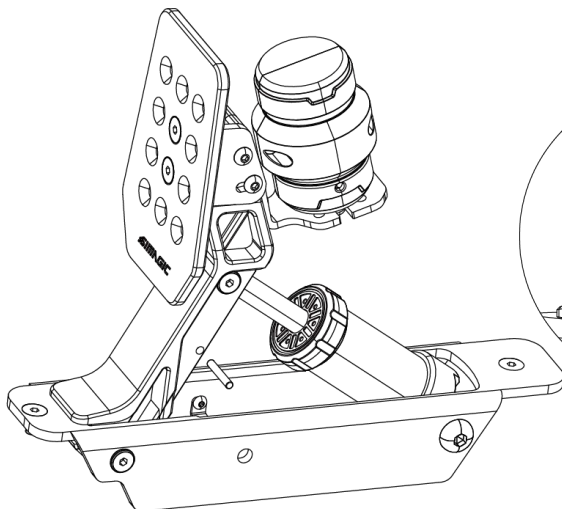


④ Flip the pry bar and place it at the bottom of the spring barrel. Push upward to slide the spring barrel into the slot.

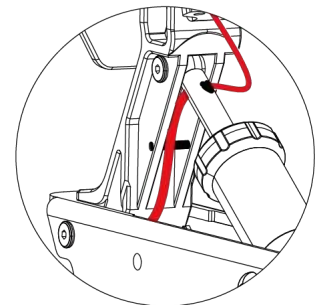


3.2.4 How to Use the Cable Management Pin

Use the Cable Management Pin for P-HPR/P-HPR Neo: Use the provided screwdriver to remove the cable management pin.



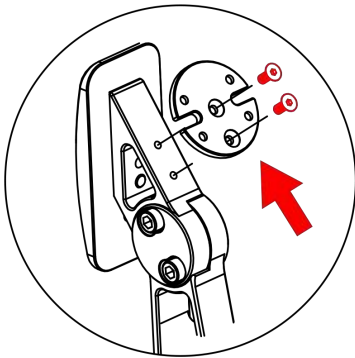
Place the P-HPR/P-HPR Neo cables into the slot.



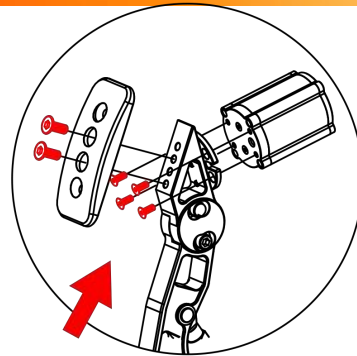
Screw the cable management pin back in.

3.3 Optional Accessories Installation

3.3.1 P-HPR Neo Installation

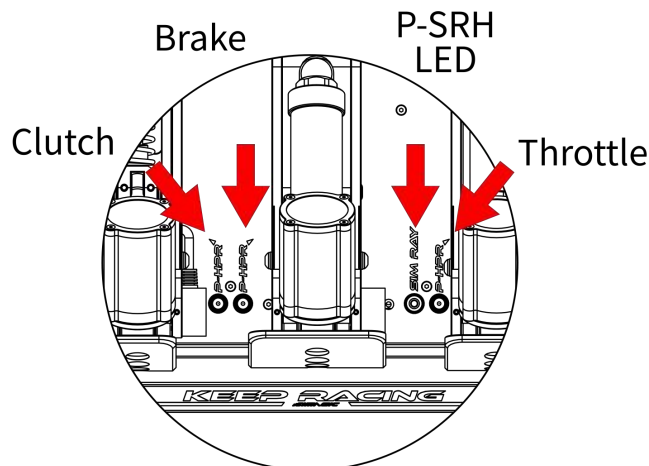


Install the P-HPR mounting plate using two Flat Head Socket Cap Screws (M4-10) as shown in the figure



Remove the two screws holding the pedal plate, then use four Flat Head Socket Cap Screws (M4-10) to assemble P-HPR

Connection



Each pedal's P-HPR should be connected to the appropriate port on the base plate

Cable Organization

Stick the included Cable Clip to the pedal body and attach the P-HPR cable for better organization

4. Software

Simpro Manager will automatically notify you if there are available updates for the software. If you want to double-check, please go to www.simagic.com/download and download the newest version. Simpro Manager has a built-in feature that allows you to update the firmware on your devices automatically.



Scan QR Code

5. Warranty Description

Warranty Terms

The warranty period is **12 months** from the date of purchase. During the warranty period, if there are issues with the machine's components, materials, or craftsmanship under normal use and maintenance, and the problem is confirmed after inspection, the company will provide free repairs and replacement parts.

SIMAGIC product's Serial Number (S/N) will serve as the primary identifier for after-sales support. You can locate the S/N on the product packaging and the product itself, attached via a sticker on the product surface. Simply provide the 10 or 14-digit S/N to our customer service team or SIMAGIC distributor when applying for after-sales service, and they will assist you promptly.

For users who have products with serial numbers, there's no need for warranty cards. However, if your product does not have a serial number, you will need to retain your warranty card for after-sales support.



Your product's serial number can be found on the label sticker of wrapping

** Consumer Law. This Limited Warranty gives you specific legal rights, and you may have other rights that vary by your country, province or state, as applicable. Other than as permitted by law, Simagic does not exclude, limit or suspend other rights you may have. For a full understanding of your rights, you should consult the laws of your country, province or state, as applicable.*

5. Warranty Description

Warranty Terms

SIMAGIC establishes dealer terms and consumer product warranty terms, requiring official partners such as dealers and agents to provide consumers with standardized SIMAGIC warranty services to safeguard consumers' legal rights.

For information on authorized dealers, please visit www.simagic.com/experience. SIMAGIC adheres to a service spirit that is responsible for users and ensures user confidence, striving to create the ultimate user experience. Regarding these warranty terms, if adjustments are necessary, we regret that specific notifications may not be provided.

Please refer to the latest content released through official channels such as the official website. Please avoid causing damage to the machine intentionally. Do not deviate from the guidance of official or officially authorized personnel when performing non-normal hardware or system operations on the machine. For detailed usage instructions, please visit www.simagic.com/pro-tutorial.

Disclaimer

The Limited Warranty does not apply to any:

- a) Damage to the machine caused by incorrect installation or operation.
- b) Repairs, modifications, alterations, or self-replacement of any internal components by non-technical personnel of the company.
- c) Alteration of the machine serial number or inconsistencies with this certificate.
- d) Damage caused by negligence, water, or infiltration of other substances into the machine. Malfunctions or damage caused by accidents or natural disasters.
- e) Users are prohibited from personally opening the machine's casing, as doing so may void the warranty and other guarantees.

6. Safety Information

In order to achieve maximum safety while using your P500 Pedals, We suggest that you adopt the following guidelines:

- Should you have trouble using the product properly and troubleshooting does not work, unplug the power and go to your local distributor for support. Do not attempt to service or fix the product yourself at any time.
- To prevent fire or shock hazard, never expose the pedals to rain or moisture.
- Only use the power and/or accessories included in the package, and/or purchase accessories made and/or approved by the manufacturer.
- Only use AC power provided by a standard wall outlet to avoid damage to the product.
- When terminating use, please turn off the buttons and power equipment to prevent accidents.
- Unplug the unit during a lightning storm or if it will not be used for a long period of time.
- Do not take apart the phone (doing so will void your warranty), component replacements must be carried out or authorized by SIMAGIC's official repair center.
- Children under 6 years old are prohibited from using this device.

When using the simulator, please pay attention to the following:

- The device has significant force feedback and contains small components. Children under 15 years old are prohibited from operating or using it independently. When in use, parents must adjust the force feedback parameters in child mode and supervise.
- For first-time users, adjust the force feedback gradually to an appropriate level.
- First-time users or those experiencing the device should be guided by the device owner.
- Loose clothing items such as hair, cables, skirts, etc., should be kept away from the simulator.



- If you have a history of epilepsy or seizures, consult a doctor before use. Certain patterns may trigger seizures with no prior history. If you experience any symptoms, please stop using the product immediately and consult a doctor.
- When using a high-torque base, the peak force feedback may cause hand injuries. If the feedback is too strong, release your hands immediately and adjust the feedback intensity parameters promptly to prevent potential accidents.
- The equipment contains moving parts, pinch points, and sharp edges that may cause personal injury. Operate with caution to prevent pinching, bruising, kicking, smashing, or other bodily injuries.
- It is recommended to limit the force feedback gaming time from 20 to 40 mins to avoid health risks from excessive use.
- Users should refrain from driving a real car for at least 1 hour after finishing the game.
- If any abnormalities are detected, stop using the device immediately and seek assistance from SIMAGIC's official or authorized service center.
- Please follow SIMAGIC's official website and public platforms for the latest product information.

6. Contact us

Discord



Facebook



Instagram





Copyright © 2024 SIMAGIC Tech Co.Ltd. All Rights Reserved.

The products and corporate names mentioned in this manual may or may not be registered trademarks or copyrights of their respective companies. They are used solely for the purposes of identification or explanation, and to the benefit of the owners, without any intention of infringement.

The specifications and information provided in this manual are intended for informational purposes only and are subject to change at any time without notice. They should not be interpreted as a commitment by SIMAGIC. SIMAGIC assumes no responsibility or liability for any errors or inaccuracies that may appear in this manual, including those related to the products and software described within it.

SIMAGIC shall not be liable for any lost profits, loss of information or data, special, incidental, indirect, punitive, or consequential damages arising in any way out of the distribution, sale, resale, use, or inability to use the Product. In no event shall Simagic's liability exceed the retail purchase price of the Product.