

SIMAGIC

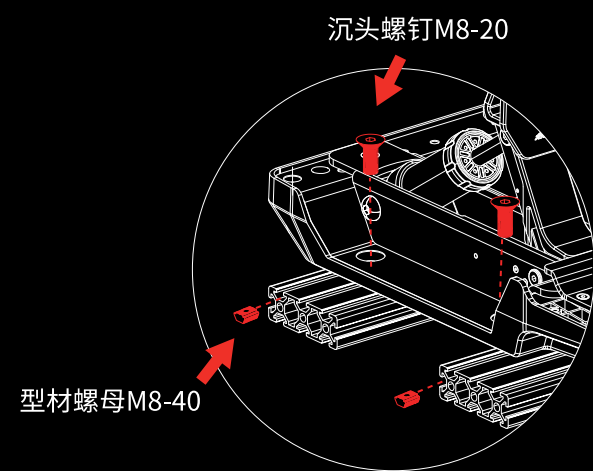
P500 快速指南

1.0 配件清单

- | | |
|------------------------------|---------------|
| 沉头螺钉M5-10 x 8 | 沉头螺钉M8-20 x 4 |
| 型材螺母 M8-40 x 4 | M8法兰螺母 x 4 |
| 茶色弹簧 x 1 | 黄色弹簧 x 1 |
| 蓝色弹簧 x 1 | 黑色弹簧 x 1 |
| 螺丝刀 x 1 | 刹车胶垫 x 3 |
| 撬棍 x 1 | 魔术贴 x 1 |
| 润滑脂 x 1 | 靠墙支架 x 1 |
| 六角扳手 x 4 (2mm/2.5mm/3mm/5mm) | |

2.0 安装在成品支架注意事项

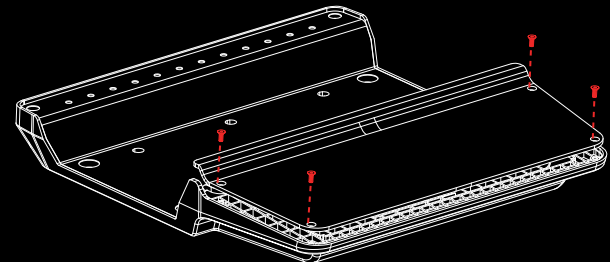
建议在完成本体装配之后, 再对踏板进行固定 (注意在左右两侧预留成品支架的固定孔位)



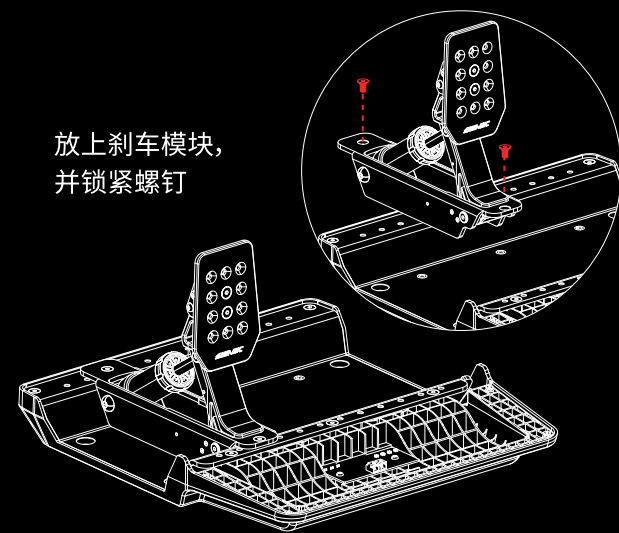
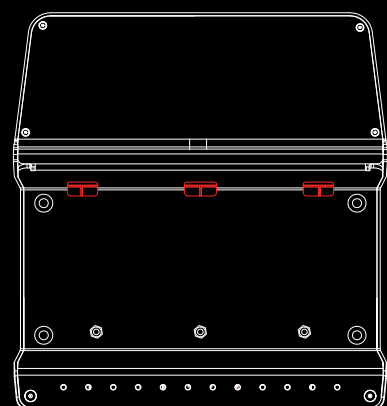
3.0 踏板装配步骤

3.1 双踏板装配步骤

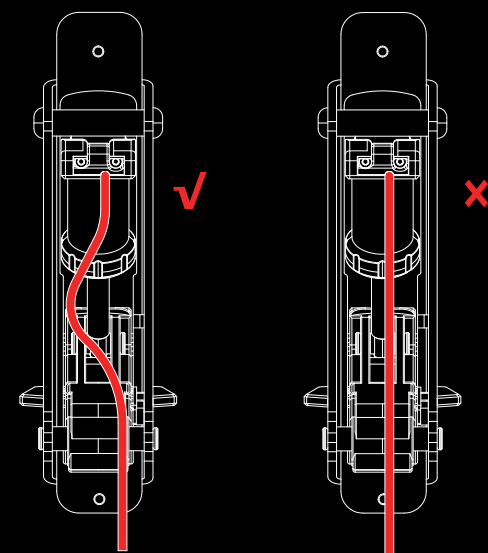
松开盖板上的四颗螺钉, 并取下盖板



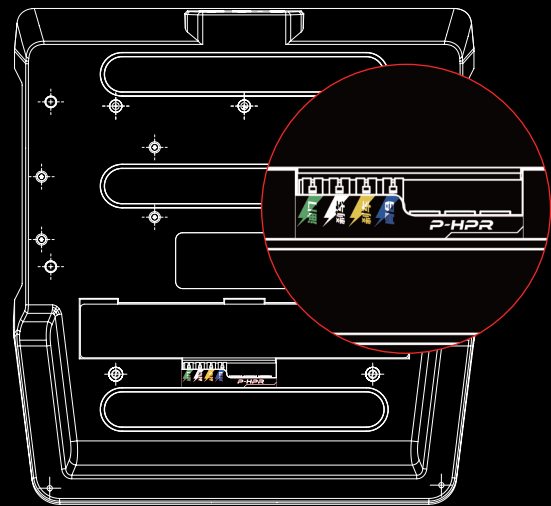
将线材穿过最近出线孔



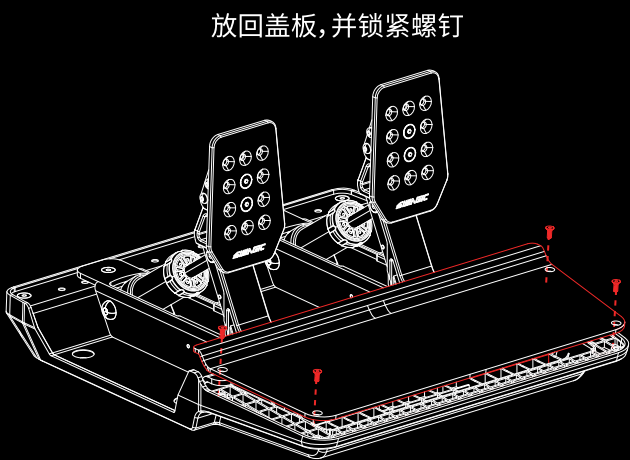
放上刹车模块, 并锁紧螺钉



(注意: 刹车对应的黑色线材请留有余量, 防止线材过紧导致更换弹簧时扯断线材)

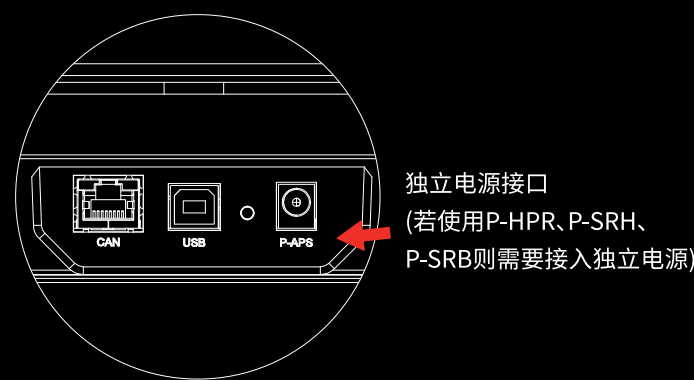


将踏板翻转至底部进行接线, 按照线材颜色插入对应插口



放回盖板, 并锁紧螺钉

3.2 连接 (USB和独立电源)

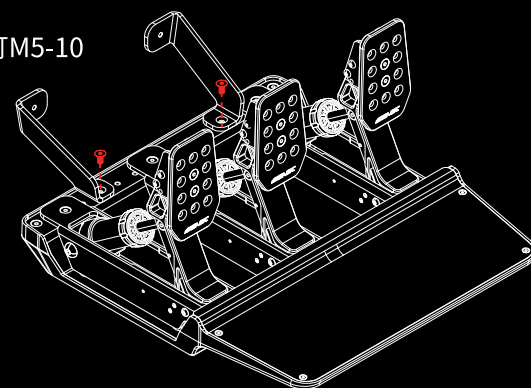


独立电源接口
(若使用P-HPR、P-SRH、P-SRB则需要接入独立电源)

4.0 靠墙支架装配步骤

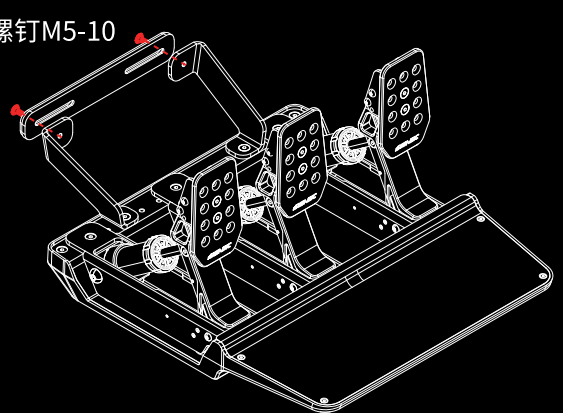
① 使用两颗螺钉将左右支架固定在踏板上

沉头螺钉M5-10



② 将靠墙板装在左右支架上, 使用两颗螺钉锁紧, 装配完成

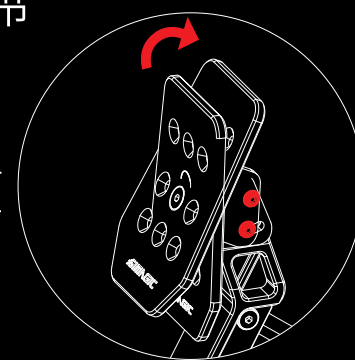
沉头螺钉M5-10



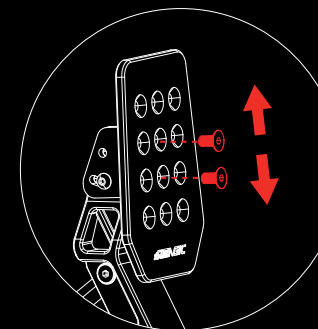
5.0 调节

5.1 踏板面角度调节

松开踏板侧面的两颗螺钉可对踏板面进行角度调节



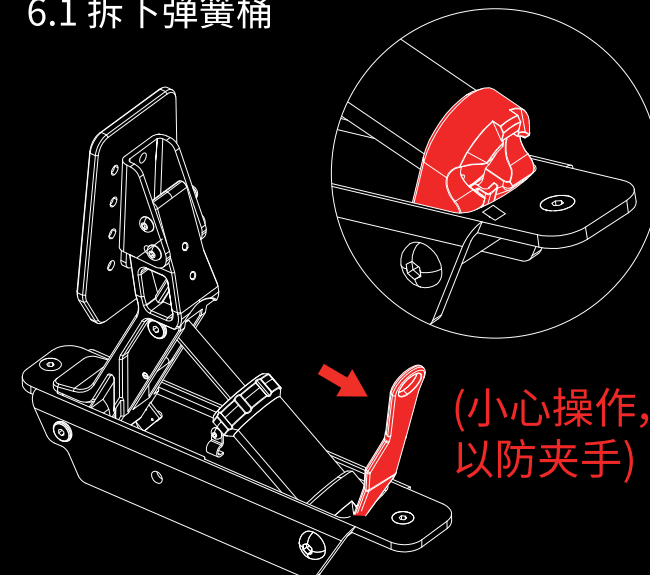
5.2 踏板高度及左右调节



松开踏板正面的两颗螺钉可对踏板的高度和左右位置进行调节

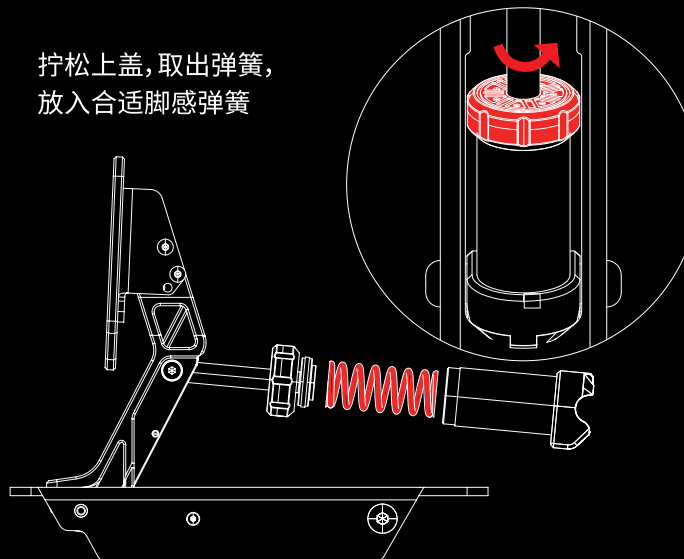
6.0 踏板弹簧更换

6.1 拆下弹簧桶

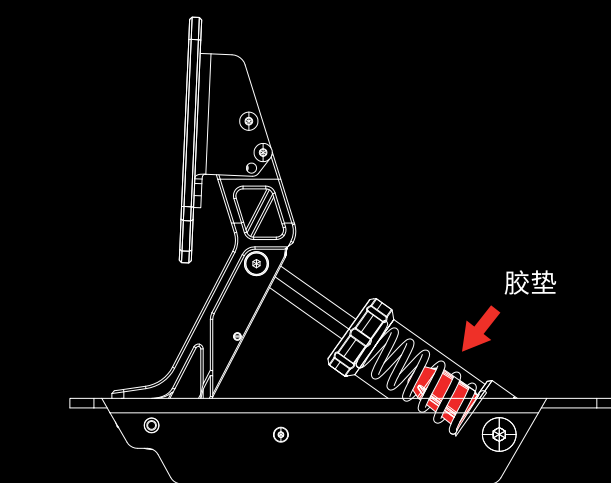


将撬棍放到弹簧桶底侧, 向下用力, 小心的将弹簧桶撬出

拧松上盖, 取出弹簧, 放入合适脚感弹簧

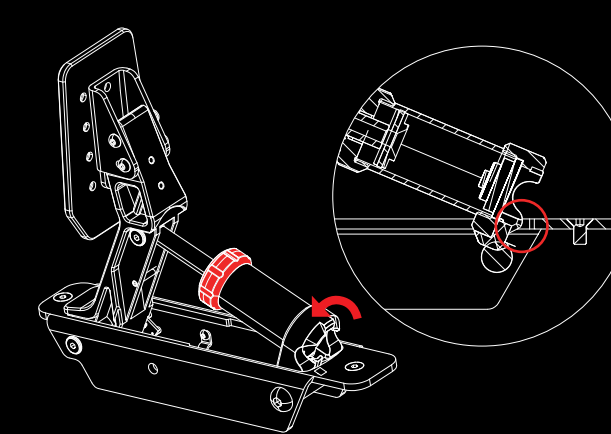


刹车部分可以通过放入刹车胶垫增加脚感 (仅推荐在支架安装后使用, 更换过程中请小心以防夹伤)

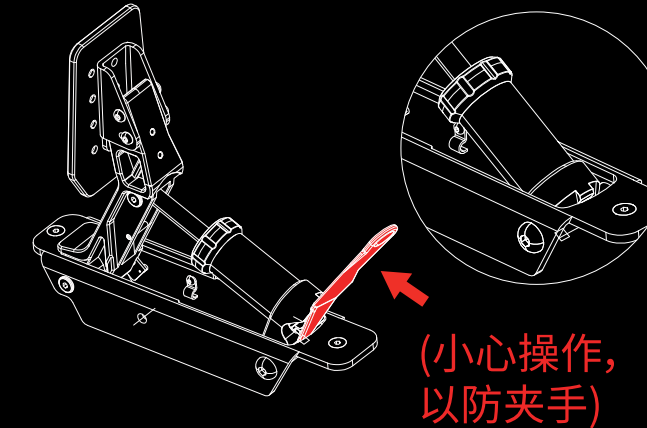


6.2 装上弹簧桶

拧回上盖, 将弹簧桶放入卡位

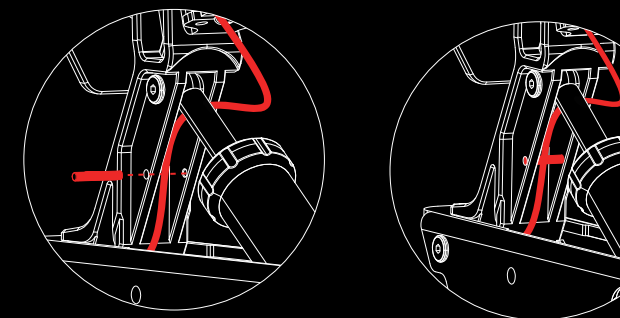
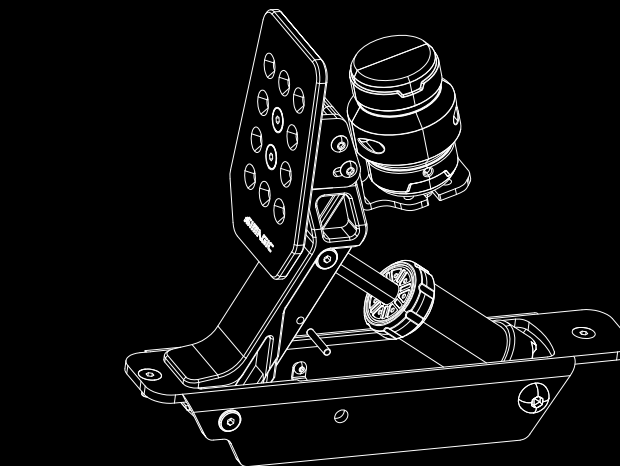


将撬棍翻转, 放入弹簧桶底侧, 向上用力将弹簧桶推入槽内



7.0 理线销使用方法

安装P-HPR/P-HPR Neo理线销的使用方法: 使用配套螺丝刀 拧出理线销



将P-HPR/P-HPR Neo
线材放入槽内

拧回理线销

注意: 使用该产品需要在PC端下载并安装Simpro Manager进行设置

软件及应用



在PC端安装
SimPro Manager
进行设置



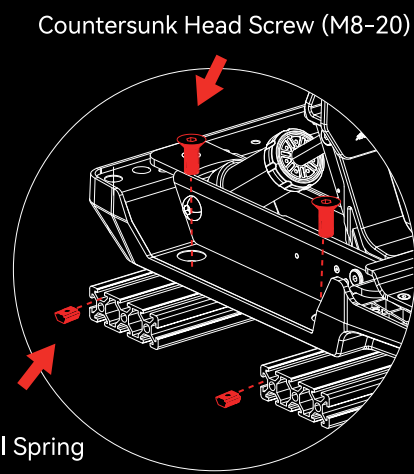
产品教程
(更多相关资料扫码查看)

1.0 List of accessories

	Countersunk Head Screw (M5-10) x 8		Countersunk Head Screw (M8-20) x 4
	Roll in T-Nut with Ball Spring (M8-40) x 4		M8 Flange nut x 4
	Brown Spring x 1		Yellow Spring x 1
	Blue Spring x 1		Black Spring x 1
	Slotted Screw Driver x 1		Brake washers x 3
	Wrench x 1		Velcro x 1
	Lubricating grease x 1		Wall Support Bracket x 1
	Allen Key x 4 (2mm/2.5mm/3mm/5mm)		

2.0 Profile Rig Installation

After assembling the P500, mount the pedals as shown (ensure sufficient space is left for profile mounting holes)

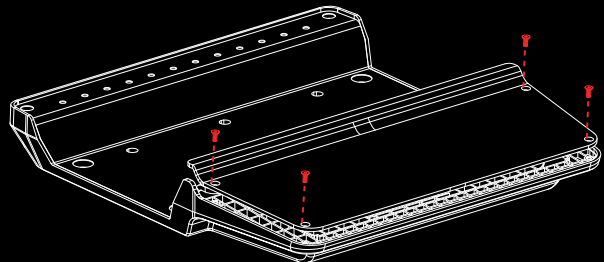


Roll in T-Nut with Ball Spring (M8-40)

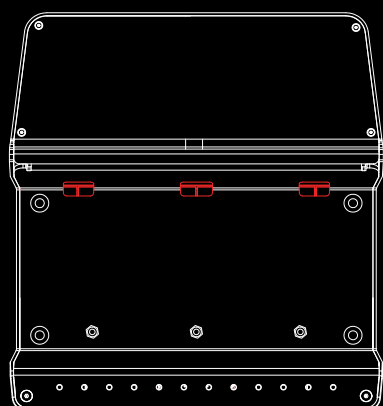
3.0 Pedal Assembly

3.1 Dual Pedal Assembly

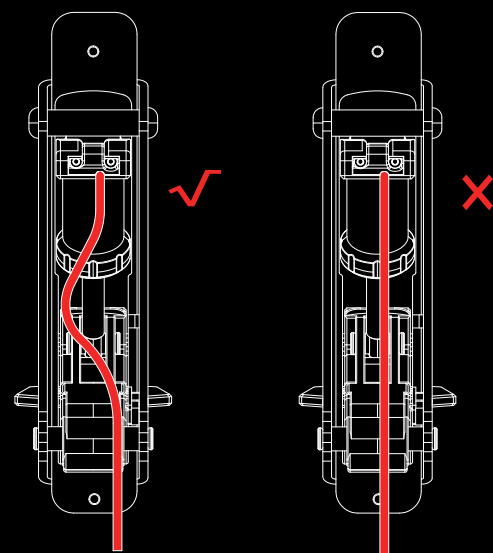
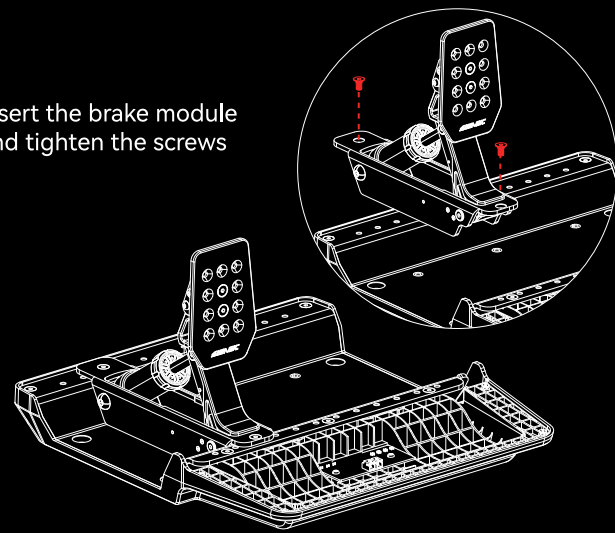
Loosen the 4 screws on the panel and remove



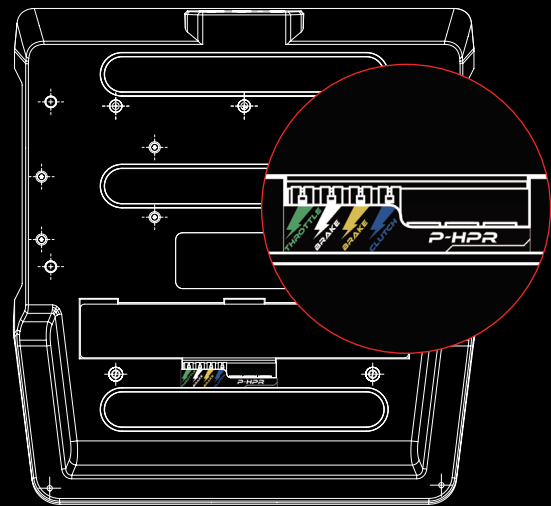
Thread the cable through the nearest cable hole



Insert the brake module and tighten the screws

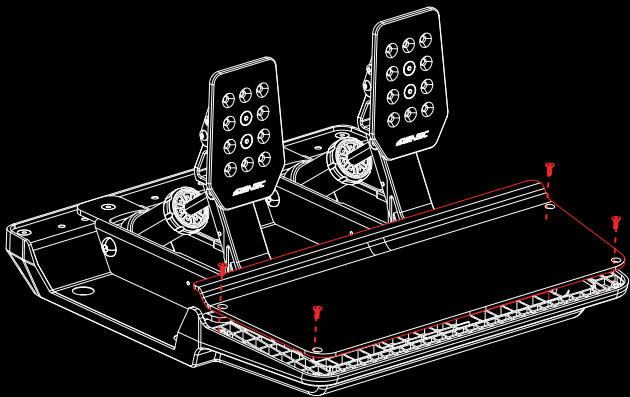


(Note: Be sure to leave enough margin for the brake cable to prevent damage on extension)

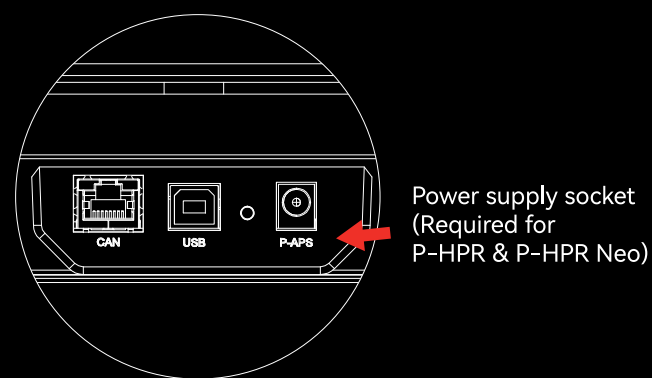


Invert the pedal to connect the cables, and plug the sockets into their corresponding colors

Replace the panel and secure the screws



3.2 Connection (USB & Power Supply)

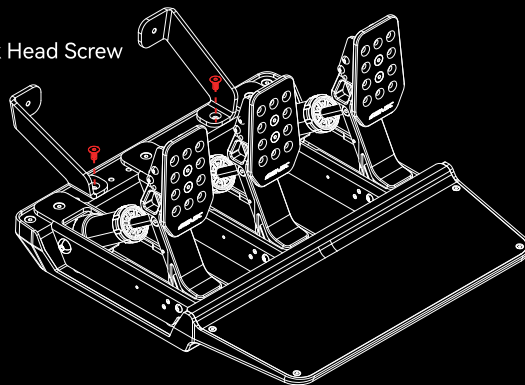


Power supply socket (Required for P-HPR & P-HPR Neo)

4.0 Wall Support Bracket Assembly Steps

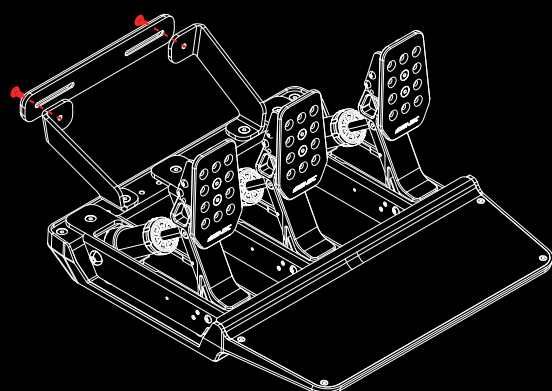
① Use two screws to secure the left and right brackets to the pedal.

Countersunk Head Screw (M5-10)



① Attach the wall plate to the left and right brackets, and tighten with two screws to complete the assembly.

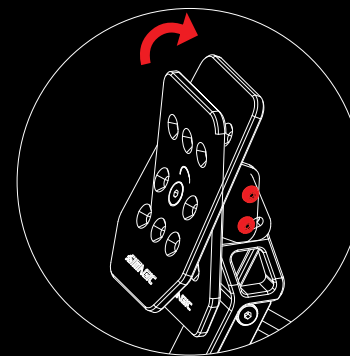
Countersunk Head Screw (M5-10)



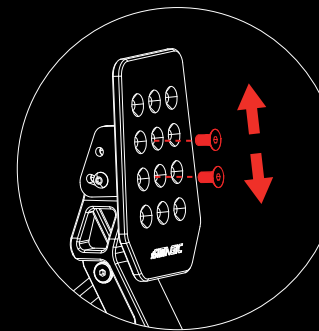
5.0 Fine Tuning

5.1 Pedal Face Angle Adjustment

Loosen the 2 screws on the side of the pedal arm for angle adjustment



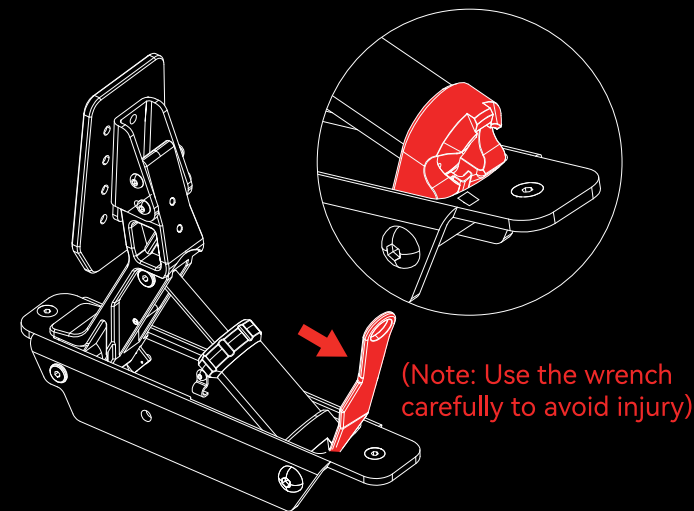
5.2 Pedal Height and Displacement Adjustment



Loosen the two screws on the pedal front to adjust its height and position

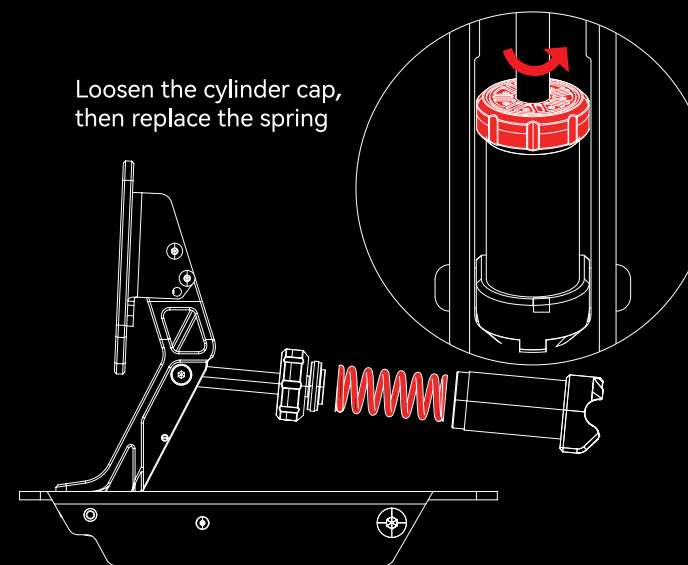
6.0 Brake Spring Replacement

6.1 Brake Cylinder Removal

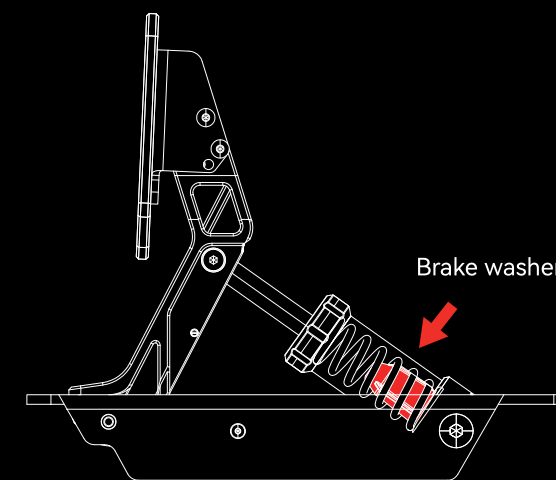


Insert the wrench into the back of the brake cylinder, then pull downward to loosen the cylinder.

Loosen the cylinder cap, then replace the spring

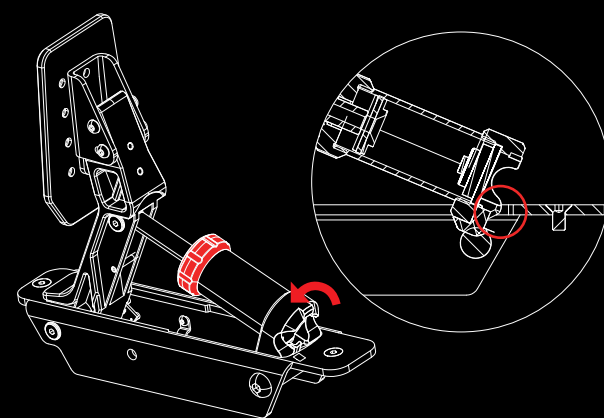


A brake washer can be added to improve brake feel (The washer is recommended for profile rig use only. Be cautious during the replacement process to avoid injuries)

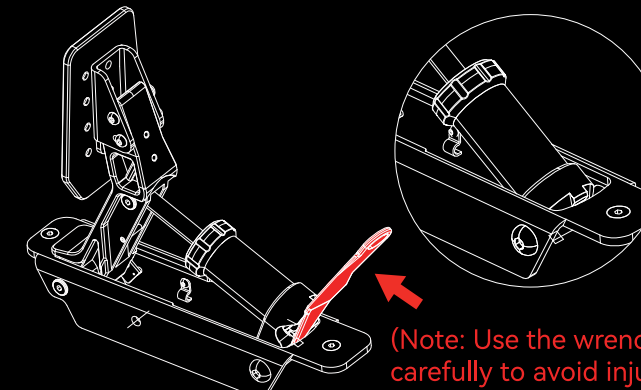


6.2 Install the Brake Cylinder

Secure the cylinder cap and slot the cylinder back in place

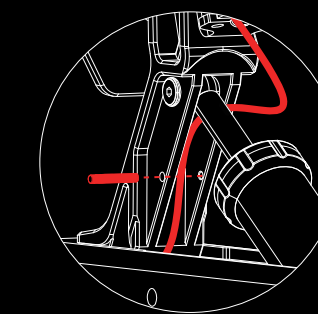
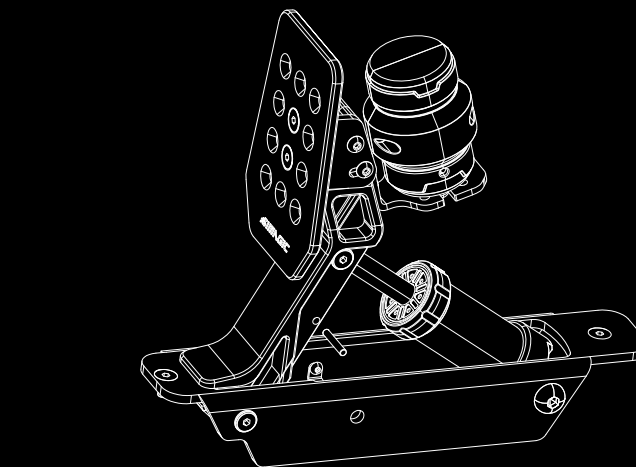


Flip the wrench and insert it into the back of the cylinder, then push upward to push the cylinder back in place

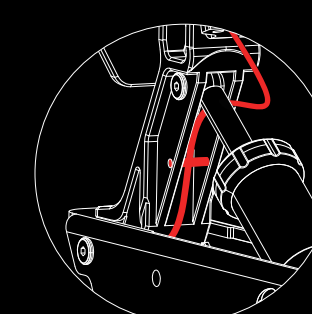


7.0 Cable Management

The cable management pin is intended for the P-HPR and P-HPR Neo



Use the included screwdriver to loosen the pin



Place the cable into the management slot and tighten the pin

Note: SimPro Manager required to complete setup

Software and Support



Install SimPro Manager to Configure



Product Tutorial (Scan the QR Code to view more related information)

SIMAGIC

P500 Quick Guide