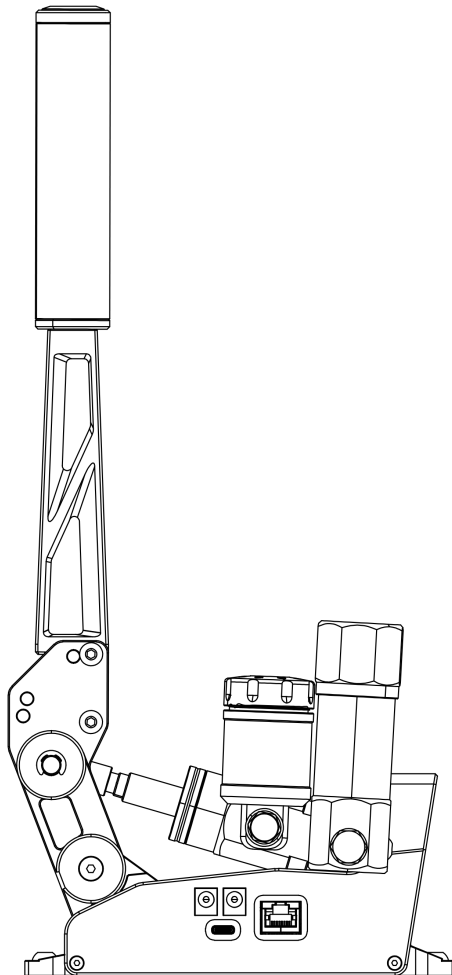


**SIMAGIC**  
**KEEP  
RACING**



**TB-RS**

**USER MANUAL**



# Contents

1. About SIMAGIC	03
2. Product Introduction	04
2.1 Overview	04
2.2 Specifications	05
2.3 Package Contents	06
3. Instruction of Use	07
3.1 Quick Guide	08
3.2 Software_Simpro Mananger	11
4. Warranty Description	12
5. Safety	14
6. Contact us	16



# SIMAGIC

Introducing SIMAGIC's TB-RS, your ticket to authentic racing and drifting. Crafted with precision and innovation, this handbrake replicates a 1:1 braking feel, ensuring you experience every drift and turn with unparalleled realism.

## **Fully configurable.**

Thanks to its smart elastomers, configuring your handbrake is a breeze, offering nine options and four stiffness settings. Whether you're a drift enthusiast or a rally racer, the highly accurate feedback ensures precise control, allowing you to finesse your maneuvers with ease.

## **Built tough and durable.**

Versatility is at the heart of our design, allowing the handbrake to be used vertically or horizontally to suit any seating position or control requirement, with highly accurate feedback in every pull. Built to last, this handbrake features high-grade aluminum alloy construction, providing durability and reliability for countless hours of racing excitement.

## **Customizable.**

With replaceable handle grips, you can easily customize your handbrake to match your unique style and setup. Experience the thrill of authentic racing action with SIMAGIC.

When you need the best, look no further. This handbrake serves as a 1:1 example of what's used by professional drifters and rally drivers alike.

**KEEP-RACING!**

## 2. Product Introduction

### 2.1 Product Overview



TB-RS Hydraulic Handbrake

- A hydraulic system that is truly authentic, reproducing a 1:1 braking feel.
- Innovative elastomers designed for easy replacement.
- Configure your handbrake with nine elastomers for four stiffness settings.
- Highly Accurate Feedback.
- You Can Choose to Use the Handbrake Vertically or Horizontally.
- Suitable for Virtually Any Seating Position or Control Requirement.
- Utilizing high-grade aluminum alloy for durability.
- Replaceable handle grips that are easily customized to match your style and setup.

## 2.2 Specifications

Product name	TB-RS
USB Connection	PC/Simagic WheelBase
Dimensions (L x W x H)	178mm* 95mm* 387mm
Net weight (exclud the QR)	1.35kg
Adjustable Damping	Supported
Horizontal Handle Installation	Supported
Rotatable oil container	Supported
Building Material	Aluminum alloy
Mounting Holes	M6 Threaded Hole Φ6 Through Hole
Quick Release	SIMAGIC QR50 Included
Accessories	Quick Guide, USB Cable Screw Pack, CAN Cable Rubber Spring, Limit Block

*\* Specifications subject to change without notice*

## 2.3 Package Contents



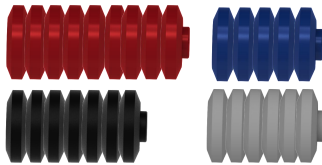
USB  
Cable



Screw  
Pack



CAN  
Cable

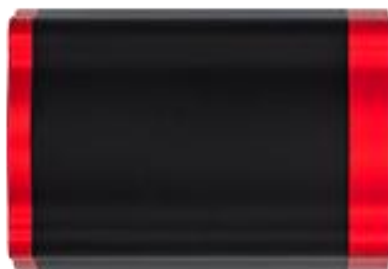


Rubber  
Spring



Limit  
Block

## Optional Accessories



## 3. Instruction for Use

Thank you for purchasing the SIMAGIC TB-RS!

Before setting up the handbrake, carefully read all the documentation that came with the package.

- For information about firmware upgrades, please check [www.simagic.com/download](http://www.simagic.com/download). \* The related files are game adaptation files developed by SIMAGIC for SIMAGIC-compatible devices. To safeguard users' legal rights and interests, please download all files through SIMAGIC's designated channels.
- Please visit [www.simagic.com/telemetry-support](http://www.simagic.com/telemetry-support) to access the list of games supported by this product. Note that using this product in non-supported games may result in certain functions not working as intended.



**The handbrake is intended for indoor use only**

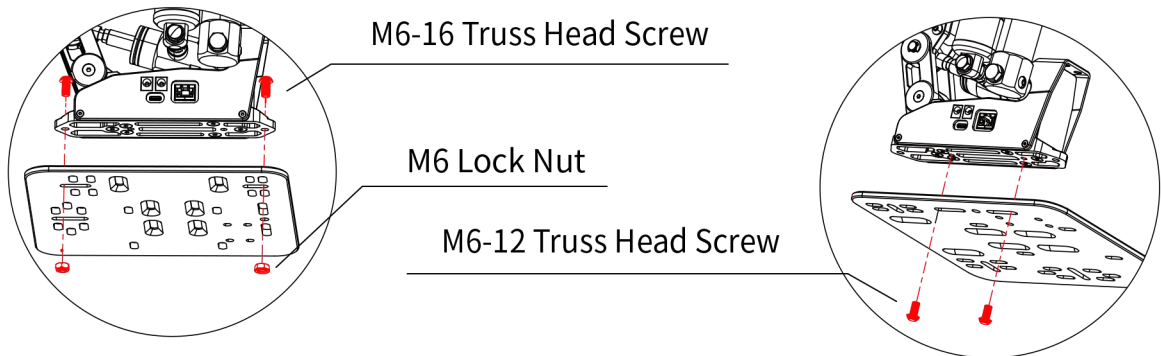


**Recommended ages 15 and above**

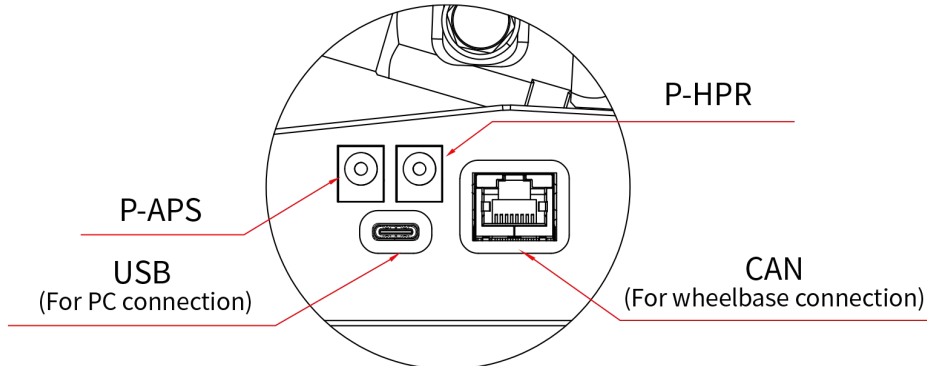


## 3.1 Quick Guide

### Mounting the HandBrake



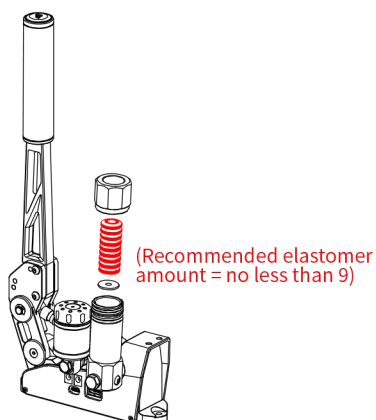
### Connection Ports



### Elastomer swap

1. Loosen the cylinder cap
2. Swap the elastomer
3. Tighten the cylinder cap

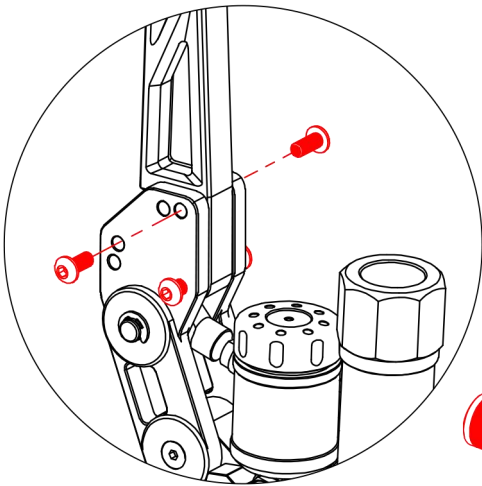
**CAUTION:** DO NOT pull the handbrake when there's not enough elastomers in the cylinder





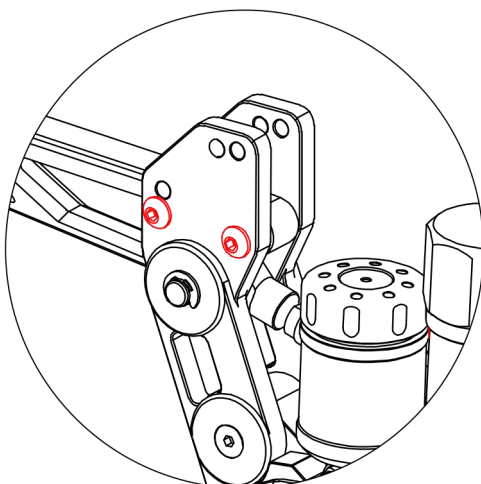
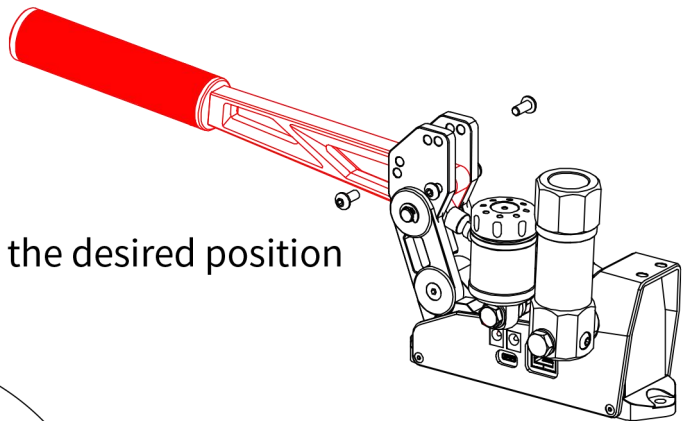
## 3.1 Quick Guide

### Handle adjustment



1. Remove the upper 2 screws
2. Slightly loosen the lower 2 screws

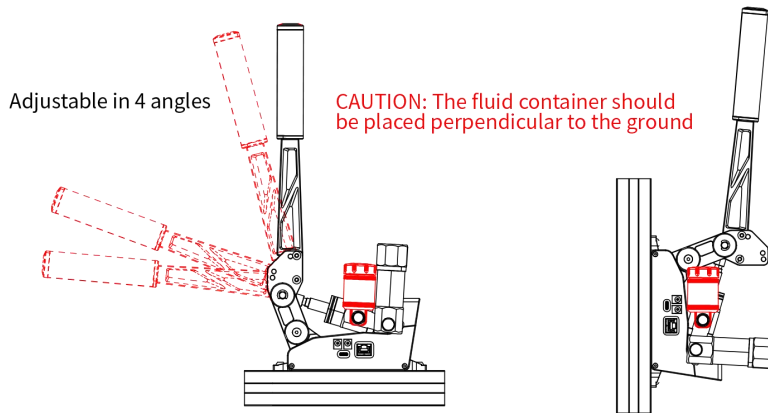
3. Move the handle to the desired position



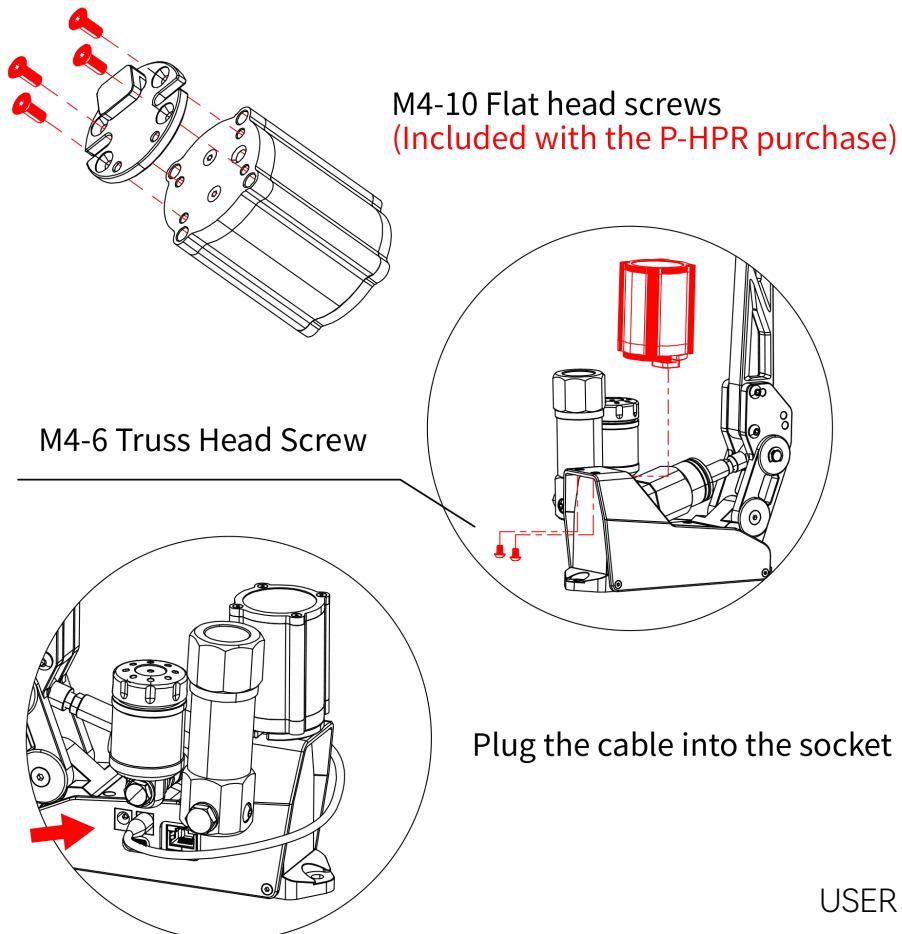
4. Tighten all 4 screws

## 3.1 Quick Guide

### Installation Tips



### Installation of P-HPR linear haptic motor module



## 3.2 Software

Simpro Manager will automatically notify you if there are available updates for the software. If you want to double-check, please go to [www.simagic.com/download](http://www.simagic.com/download) and download the newest version. Simpro Manager has a built-in feature that allows you to update the firmware on your devices automatically.



Scan QR Code to download

## 4. Warranty Description

### Warranty Terms

The warranty period is **12 months** from the date of purchase. During the warranty period, if there are issues with the machine's components, materials, or craftsmanship under normal use and maintenance, and the problem is confirmed after inspection, the company will provide free repairs and replacement parts.

**SIMAGIC product's Serial Number (S/N)** serve as the primary identifier for after-sales support. You can locate the S/N on the product packaging and the product itself, attached via a sticker on the product surface. Simply provide the 10 or 14-digit S/N to our customer service team or SIMAGIC distributor when applying for after-sales service, and they will assist you promptly.

For users who have products with serial numbers, there's no need for warranty cards. However, if your product does not have a serial number, you will need to retain your warranty card for after-sales support.



*Your product's serial number can be found on the label sticker of wrapping*

*\* Consumer Law. This Limited Warranty gives you specific legal rights, and you may have other rights that vary by your country, province or state, as applicable. Other than as permitted by law, Simagic does not exclude, limit or suspend other rights you may have. For a full understanding of your rights, you should consult the laws of your country, province or state, as applicable.*

# Warranty Description

## Warranty Terms

SIMAGIC establishes dealer terms and consumer product warranty terms, requiring official partners such as dealers and agents to provide consumers with standardized SIMAGIC warranty services to safeguard consumers' legal rights.

For information on authorized dealers, please visit [www.simagic.com/experience](http://www.simagic.com/experience). SIMAGIC adheres to a service spirit that is responsible for users and ensures user confidence, striving to create the ultimate user experience. Regarding these warranty terms, if adjustments are necessary, we regret that specific notifications may not be provided.

Please refer to the latest content released through official channels such as the official website. Please avoid causing damage to the machine intentionally. Do not deviate from the guidance of official or officially authorized personnel when performing non-normal hardware or system operations on the machine. For detailed usage instructions, please visit [www.simagic.com/pro-tutorial](http://www.simagic.com/pro-tutorial).

**The Limited Warranty does not apply to any:**

- a) Damage to the machine caused by incorrect installation or operation.
- b) Repairs, modifications, alterations, or self-replacement of any internal components by non-technical personnel of the company.
- c) Alteration of the machine serial number or inconsistencies with this certificate.
- d) Damage caused by negligence, water, or infiltration of other substances into the machine. Malfunctions or damage caused by accidents or natural disasters.
- e) Users are prohibited from personally opening the machine's casing, as doing so may void the warranty and other guarantees.

## 5. Safety Information

In order to achieve maximum safety while using your TB-RS, We suggest that you adopt the following guidelines:

- Should you have trouble using the product properly and troubleshooting does not work, unplug the power and go to your local distributor for support. Do not attempt to service or fix the product yourself at any time.
- To prevent fire or shock hazard, never expose the handbrake to rain or moisture.
- Only use the power and/or accessories included in the package, and/or purchase accessories made and/or approved by the manufacturer.
- Only use AC power provided by a standard wall outlet to avoid damage to the product.
- When terminating use, please turn off the buttons and power equipment to prevent accidents.
- Unplug the unit during a lightning storm or if it will not be used for a long period of time.
- Do not take apart the phone (doing so will void your warranty), component replacements must be carried out or authorized by SIMAGIC's official repair center.
- Children under 6 years old are prohibited from using this device.

**When using the simulator, please pay attention to the following:**

- The device has significant force feedback and contains small components. Children under 15 years old are prohibited from operating or using it independently. When in use, parents must adjust the force feedback parameters in child mode and supervise.
- For first-time users, adjust the force feedback gradually to an appropriate level.
- First-time users or those experiencing the device should be guided by the device owner.
- Loose clothing items such as hair, cables, skirts, etc., should be kept away from the simulator.



- If you have a history of epilepsy or seizures, consult a doctor before use. Certain patterns may trigger seizures with no prior history. If you experience any symptoms, please stop using the product immediately and consult a doctor.
- When using a high-torque base, the peak force feedback may cause hand injuries. If the feedback is too strong, release your hands immediately and adjust the feedback intensity parameters promptly to prevent potential accidents.
- The equipment contains moving parts, pinch points, and sharp edges that may cause personal injury. Operate with caution to prevent pinching, bruising, kicking, smashing, or other bodily injuries.
- It is recommended to limit the force feedback gaming time from 20 to 40 mins to avoid health risks from excessive use.
- Users should refrain from driving a real car for at least 1 hour after finishing the game.
- If any abnormalities are detected, stop using the device immediately and seek assistance from SIMAGIC's official or authorized service center.
- Please follow SIMAGIC's official website and public platforms for the latest product information.

## 6. Contact us

### Discord



### Facebook



### Instagram







**Copyright © 2023 SIMAGIC Tech Co.,Ltd. All Rights Reserved.**

The products and corporate names mentioned in this manual may or may not be registered trademarks or copyrights of their respective companies. They are used solely for the purposes of identification or explanation, and to the benefit of the owners, without any intention of infringement.

The specifications and information provided in this manual are intended for informational purposes only and are subject to change at any time without notice. They should not be interpreted as a commitment by SIMAGIC. SIMAGIC assumes no responsibility or liability for any errors or inaccuracies that may appear in this manual, including those related to the products and software described within it.

SIMAGIC shall not be liable for any lost profits, loss of information or data, special, incidental, indirect, punitive, or consequential damages arising in any way out of the distribution, sale, resale, use, or inability to use the Product. In no event shall Simagic's liability exceed the retail purchase price of the Product.