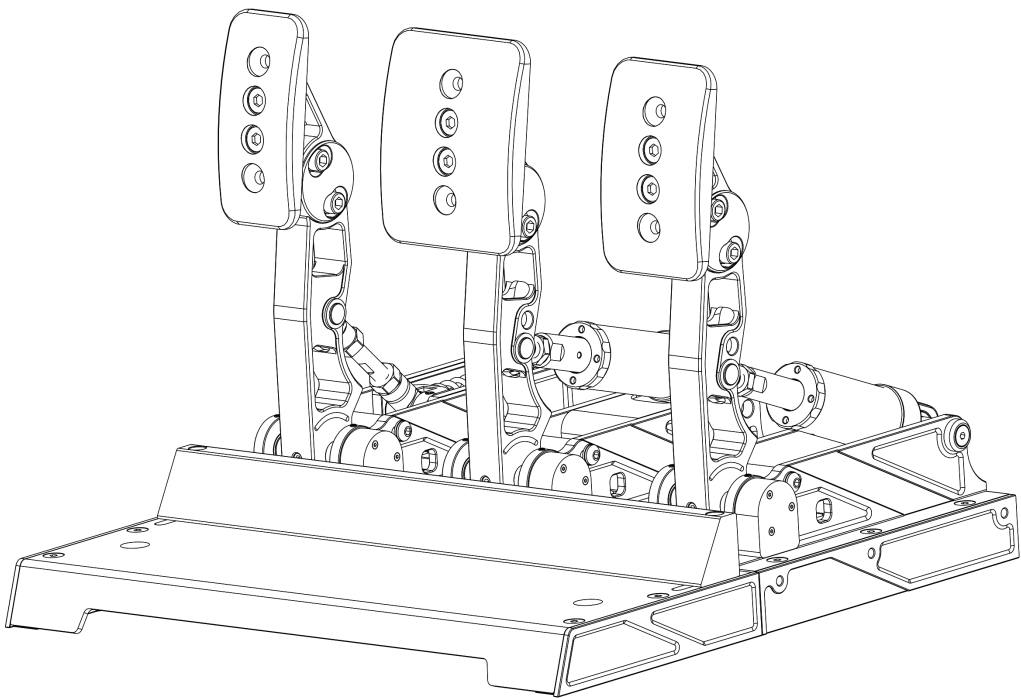


SIMAGIC

**KEEP
RACING**



P1000

USER MANUAL

Contents

1. About P1000	03
2. P1000 Introduction	04
2.1 Overview	04
2.2 Specifications	06
2.3 Package Contents	07
2.4 Optional Accessories	10
3. Instruction of Use	12
3.1 Quick Guide	13
3.2 Adjusting the Pedals	16
3.3 Optional Accessories Installation	21
4. Software_Simpro Mananger	27
5. Warranty Description	29
6. Safety	30
7. Contact us	32



Welcome to your new favorite pedals.

The SIMAGIC P1000 series are high precision, professional-grade pedals designed to take your racing to the next level.

Precise.

Designed in collaboration with professional race engineers, these pedals offer precise inputs for consistency - unlocking your competitive edge on the track.

Modular.

Flexibility is king. Easily install addons including haptic reactors (HPR), hydraulic brake or throttle systems, electronic assist modules, and more. Pedals you can truly tailor!

Innovative.

Powered by the latest in simracing developments. Dual sensors and brake elastomers allow for higher responsiveness and realism, which ultimately leads to better consistency.

Durable.

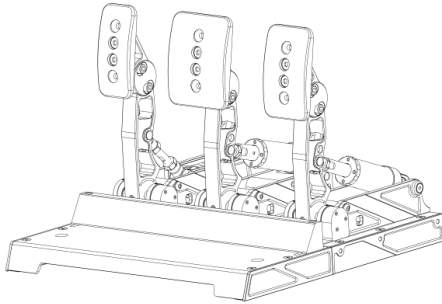
Built for the longest endurance races out there. Sturdy aluminum alloy leads the way, offering truly long-lasting performance for countless hours of fun on the track.

Whether you're a beginner or a seasoned pro, the P1000 pedals cater to all, offering scalability and flexibility in how you use them. Once they're dialed in, most will say the same thing: the P1000's are their new "essential" for simracing.

KEEP-RACING!

2.P1000 Introduction

2.1 Overview

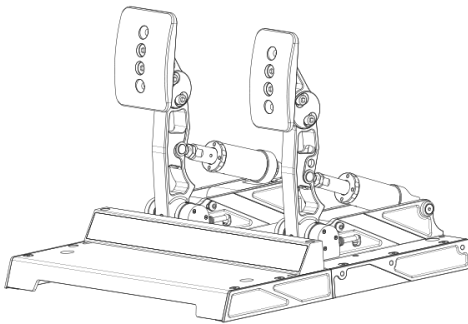


P1000 **Modular Pedals**

Length x Width x Height:
334.8 x 336 x 267 (mm)

Standard net weight: 5.65kg

Hydraulic net weight: 6.00kg

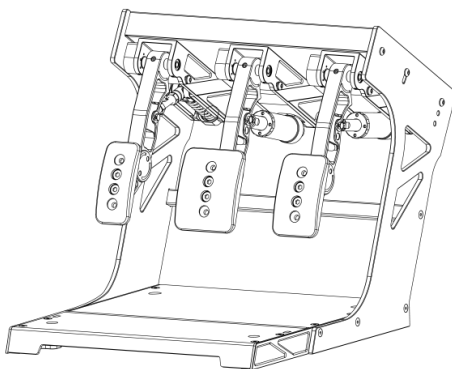


P1000 **Formula Modular (Dual) Pedals**

Length x Width x Height:
334.8 x 336 x 267 (mm)

Standard net weight: 4.65kg

Hydraulic net weight: 5.00kg



P1000i **Modular Inverted Pedals**

Length x Width x Height:
348 x 489.8 x 368.5 (mm)

Standard net weight: 7.65kg

Hydraulic net weight: 8.00kg

Product Intro

- High Integration, Professional & Competitive
- Modular, Supports Multiple Add-Ons
- Jointly Developed with Professional Race Engineers
- Brand New Optimized Design, Easily Installed without the Need for Repeated Adjustments
- Comes with a Suspension Installation kit to Meet Various Needs
- Innovative Brake Elastomers, Endless Combinations using Various Gels
- Dual Sensors with Convenient Switching, Increased Precision, More Professional
- Aluminum Alloy CNC Processing, Sturdy and Durable
- Multiple Adjustments to Meet the Usage Habits of a Wide Range of Players
- Optional Linear Electronic Assist Module, Independently Developed Linear Motor
- Optional Linear Electronic Assist Module, Parameterised Adjustment of Vibration Frequency and Amplitude
- Optional Hydraulic Brake System, Better Simulates the Damping and Rebound of Real Car Brakes
- Rich DIY Accessories to Meet Different Needs from "entry Level" to "Pro Level"
- Optional Hydraulic Throttle System, Uses Hydraulic with Nitrogen Gas Spring,
- Compared to Traditional Metal Springs, It Doesn't Experience Deterioration

2.2 Specifications

Product Name	P1000/P1000i	P1000F/P1000-FRS	P1000-RS/P1000i-RS
Resolution	12Bit (4096) 【High accuracy sensor】	12Bit (4096) 【High accuracy sensor】	12Bit (4096) 【High accuracy sensor】
USB connection	PC、SIMAGIC wheelbase	PC、SIMAGIC wheelbase	PC、SIMAGIC wheelbase
Adjustable Travel	Supported	Supported	Supported
Adjustable Spring Force Level	Clutch、Brake	Brake	Clutch、Brake
Hall angle sensor/ Loadcell sensor	<ul style="list-style-type: none"> • Throttle - Hall angle sensor • Brake-Hall angle sensor/Loadcell sensor • Clutch-Hall angle sensor 	<ul style="list-style-type: none"> • Throttle - Hall angle sensor • Brake-Hall angle sensor/Loadcell sensor 	<ul style="list-style-type: none"> • Throttle - Hall angle sensor • Brake-Hall angle sensor/Loadcell sensor • Clutch-Hall angle sensor
Loadcell sensor	100KG	100KG	100KG
Haptic Pedal Reactor	Optional	Optional	Optional
Hydraulic Cylinder	Optional	Optional/Supported	Optional/Supported
Inverted Installation	P1000i	Optional (Can't change the oil container after inversion)	Optional/Included
Pedal Plate	Anodized Aluminum Alloy	Anodized Aluminum Alloy	Anodized Aluminum Alloy
Angle/Position Adjustment	Supported	Supported	Supported
Adjustable Linearity	Supported	Supported	Supported
Adjustable Brake Force	Supported	Supported	Supported
Adjustable Deadzones	Supported	Supported	Supported
Pedal control box	Included	Included	Included
Building Material	CNC Aluminum Alloy	CNC Aluminum Alloy	CNC Aluminum Alloy

2.3 Package Contents

P1000 Modular Pedal Package (accessories) includes:



Mounting Screw Pack



Throttle Spring



Clutch Pedal Springs



Rubber Pads



Profile L-Plate



USB Data Cable



Heel-Stop



Barrel Rubber Pads

2.3 Package Contents

P1000-F Dual-Pedal Package (accessories) includes:



Mounting Screw Pack



Throttle Spring



Rubber Pads



Profile L-Plate



USB Data Cable



Heel-Stop



Barrel Rubber Pads

2.3 Package Contents

P1000i Inverted-Pedal Package (accessories) includes:



Mounting Screw Pack



Throttle Spring



Clutch Pedal Springs



Rubber Pads



USB Data Cable



Inversion Kit

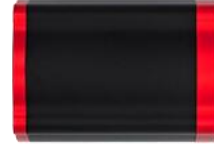


Barrel Rubber Pads

2.4 Optional Accessories



P1000 External Power Supply
Required (sold separately)



Haptic Pedal Reactor



Sim Ray - Bar



Sim Ray - Heel Stop

The accessories above are optional and not included in the package
ALL requires P1000 Accessories power supply (SOLD SEPARATELY)*

2.4 Optional Accessories



Hydraulic Module



P-1000 Long Throttle Plate



P-1000 Inversion Brackets



Hydraulic throttle



P-1000 Clutch Pedal



P-ORP Optional Brake Rubbers



P-1000 Heel-Stop



P-ORP(H) Hydraulic Optional Brake Rubbers

3. Instruction for Use

Thank you for purchasing the SIMAGIC P1000 pedals!

Before setting up the pedals, carefully read all the documentation that came with the package.

- For information about firmware upgrades, please check www.simagic.com/download. * The related files are game adaptation files developed by SIMAGIC for SIMAGIC-compatible devices. To safeguard users' legal rights and interests, please download all files through SIMAGIC's designated channels.
- Please visit **Simagic official** YouTube channel (<https://www.youtube.com/@simagicofficial6890>) for tutorial videos showcasing different pedal setup options and usage techniques. Learn more about the development behind our P1000 pedals.
- Please visit www.simagic.com/telemetry-support to access the list of games supported by this product. Note that using this product in non-supported games may result in certain functions not working as intended.



The pedals are intended for indoor use only



Recommended ages 15 and above

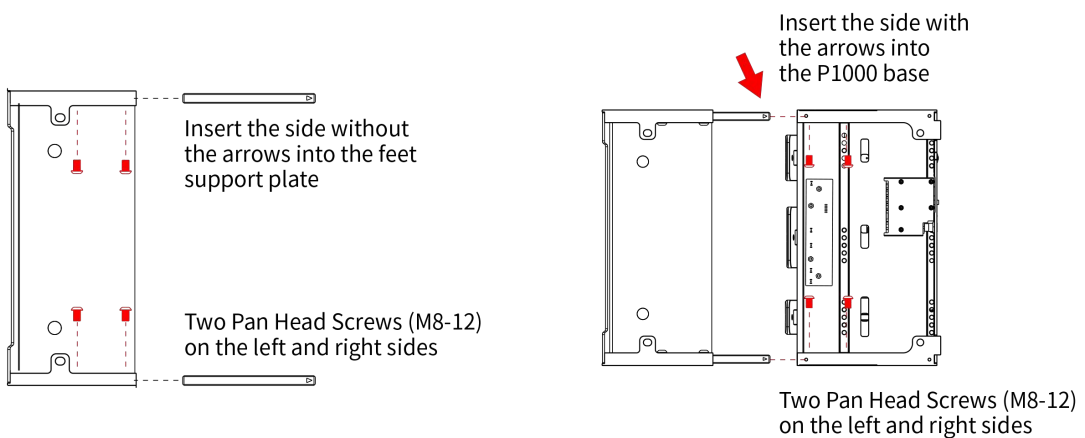


3.1 Assumbly Guide

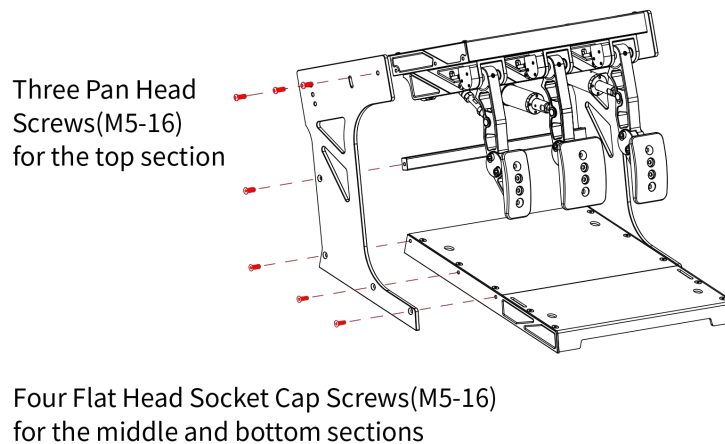
This section provides instructions for setting up and initializing your pedals. The pedals are intended for use only when securely mounted to a sim racing rig. please avoid using the pedals without proper mounting, as they may shift during operation and could potentially cause injury.

Please avoid using the pedals without proper mounting, as they may shift during operation and could potentially cause injury

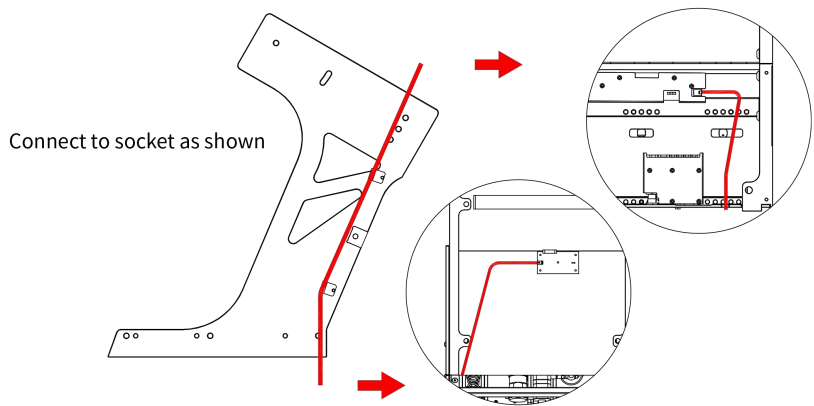
3.1.1 P1000 base assembly



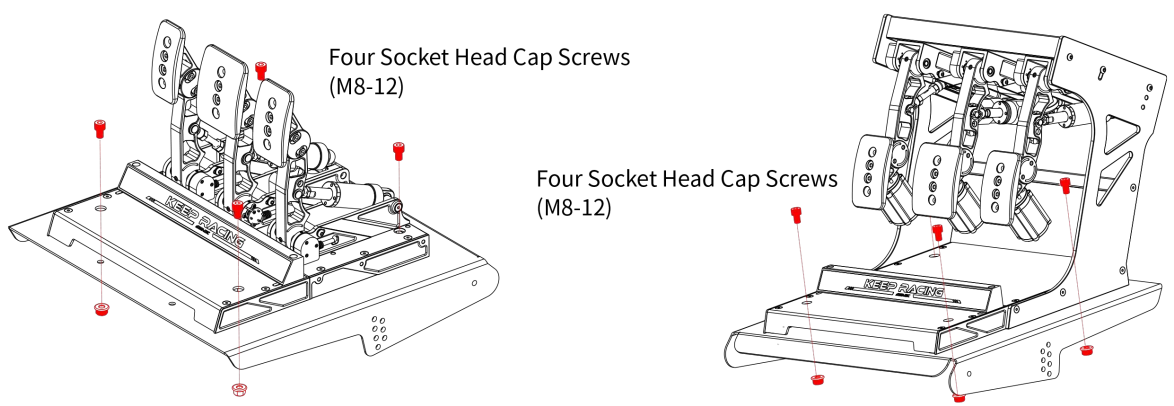
3.1.2 P1000i inverted platform Installation



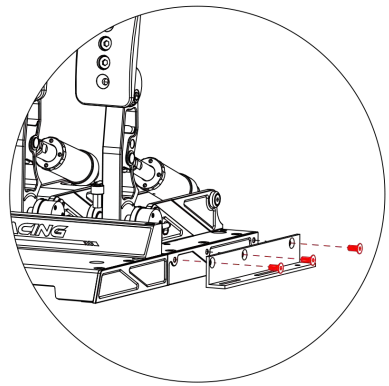
3.1.3 P1000i connection cable Installation



3.1.4 Sim Rig Installation

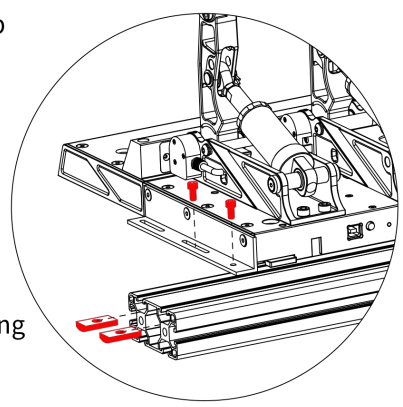


3.1.5 Installation for Customized Frames

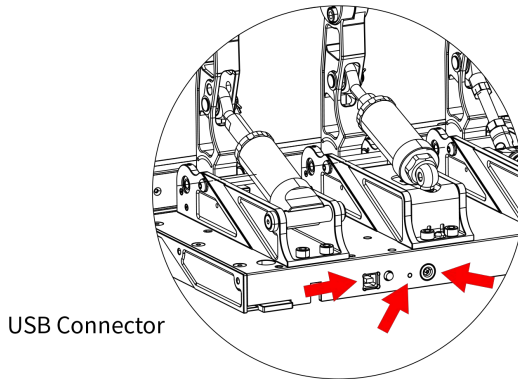


Three Flat Head Socket Cap Screws (M5-10)

Socket Head Cap Screw (M6-12)
Roll in T-nut with Ball Spring (M6-40)



3.1.6 Connection (USB and Independent Power Supply)



USB Connector

Independent Power Supply Connector (Using P-HPR, P-SRH, and P-SRB requires power connection)

3.1.7 CAN-Bus and USB switching

- Push the button to switch the pedal connection mode
- Switch to CAN-Bus mode when the pedal is connected to the **SIMAGIC Wheelbase** (In CAN-Bus mode, the indicator is blue)
- Switch to USB mode when the pedal is connected to a **PC** (In USB mode, the indicator is **green**)

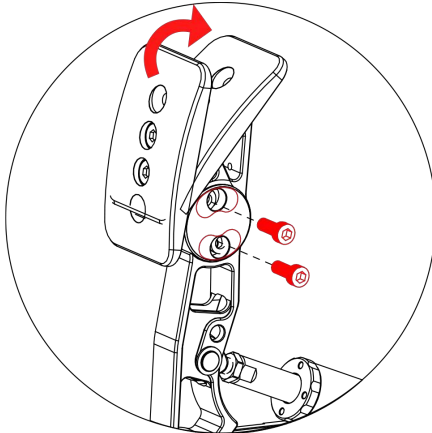
3.2 Adjusting the Pedals

The pedals come pre-configured in their default setup, straight out of the box, to provide you with the most immersive experience possible. This configuration mirrors the setup found in real race cars. We suggest spending some time driving to get accustomed to this setup.

Please refrain from making eye contact with the lubrication grease and ensure to thoroughly wash your hands after making any adjustments



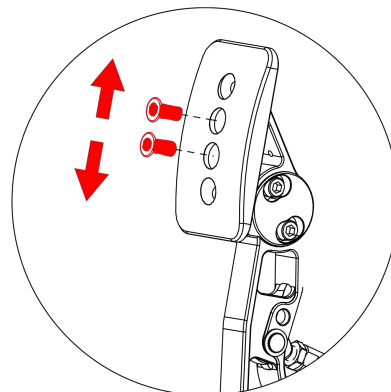
3.2.1 Adjust the pedal face angle



Loosen the two screws on the side of the pedal
Adjust the angle upwards or downwards

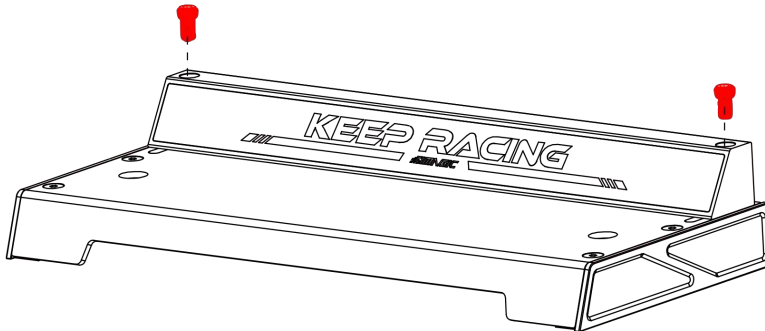
3.2.2 Pedal Plate Height Adjustment

Loosen the two screws on the front of the pedal
The pedal plate can be moved up or down



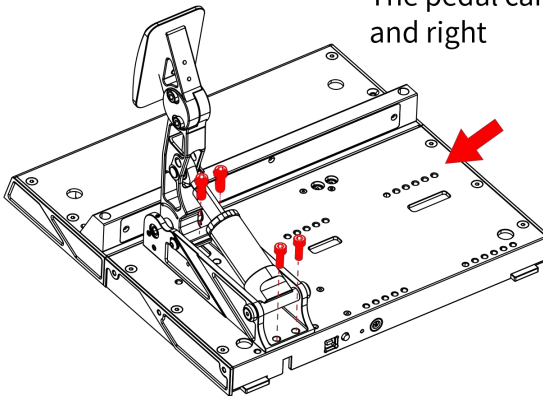
3.2.3 Heel Stop Adjustment

Loosen the top two screws of the heel stop
The heel stop can be moved forward or backward



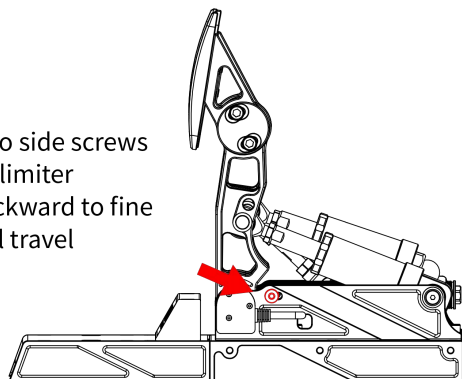
3.2.4 Adjust the Pedal Position (Left or Right)

Loosen the four mounting screws
The pedal can be adjusted left and right

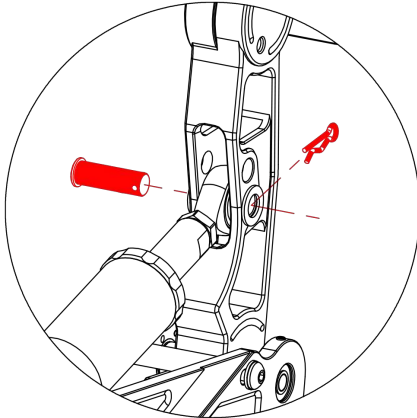


3.2.5 Travel adjustment (Bottom Limit Screws)

Loosen the two side screws
then slide the limiter
forward or backward to fine
tune the pedal travel

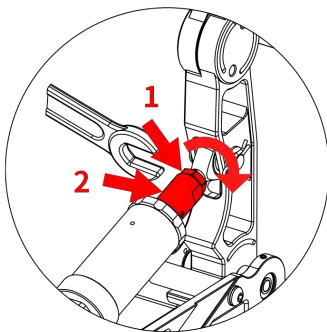


3.2.6 Throttle Strength Adjustment



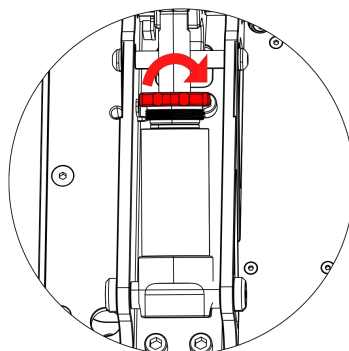
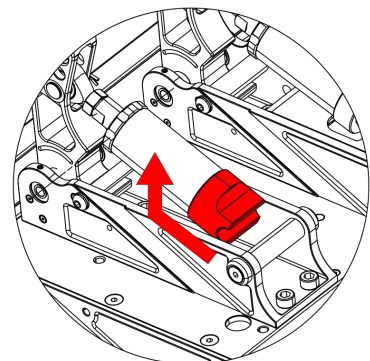
The Throttle resistance can be adjusted by switching the installation hole

3.2.7 Replacing the Throttle Rubbers



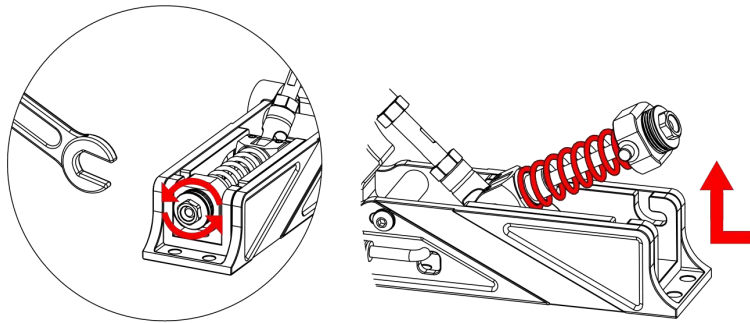
1. Loosen the jam nut on the back of the Throttle, then spin the silver rod clockwise until completely loosened

2. Push the throttle cylinder forward, and lift it up



3. Loosen and remove the cylinder cap, take out the spring, then install the new spring

3.2.8 Clutch adjustment and spring

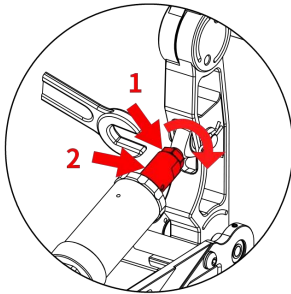


3.8.1 Rotate the rear adjustable screw to fine tune the spring force

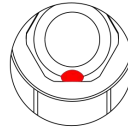
3.8.2 Replace the Clutch spring

- ① Loosen the rear adjustable screw
- ② Push the screw forward and lift it up to dismount the spring carriage, then replace the spring

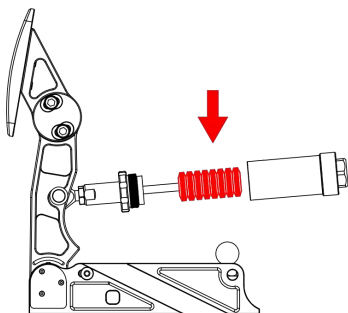
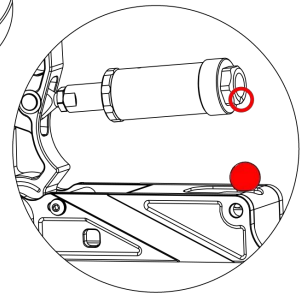
3.2.9 Replacing the Brake Rubbers



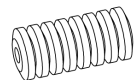
1. Loosen the jam nut on the back of the Brake, then spin the silver rod clockwise until completely loosened



2. Lift up the brake cylinder and unscrew the red cap to access the rubbers
(When disassembling and assembling, note that the groove at the arrow is facing down)

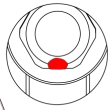
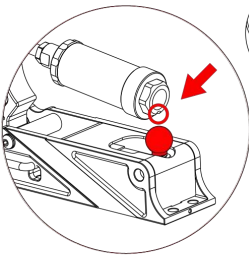


Hardness: black→gray→blue→red
(From soft to hard)



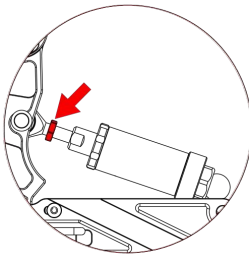
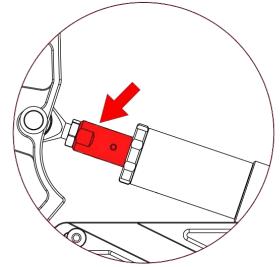
Note:
It is recommended to use no more than 8 Rubber Pads in the cylinder

3.2.9 Replacing the Brake Rubbers



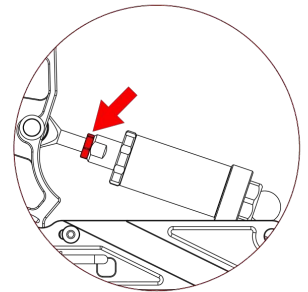
4. When assembling, ensure the groove is facing downwards then Click the Brake Cylinder onto the ball head so it's seated in the groove

5. Once the cylinder is installed, tighten the brake cylinder shaft until there is no gap between the load cell ball end and the groove on the back of the cylinder
(Insufficient tightening may leave a gap between the ball end and the cylinder groove, resulting in abnormal wear in the brake cylinder groove)



6. Hold the shaft of the brake cylinder and tighten the jam nut until it is snug against the cylinder shaft to prevent it from loosening during use

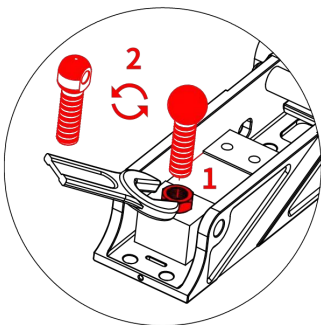
Ensure the jam nut is tightly seated against the shaft of the cylinder. You are now ready to race!



3.3 Optional Accessories Installation

Optional accessories refer to additional features for the P1000, enhancing its functionality beyond the standard package. These accessories are **NOT included in the standard package** and *must be purchased separately*.

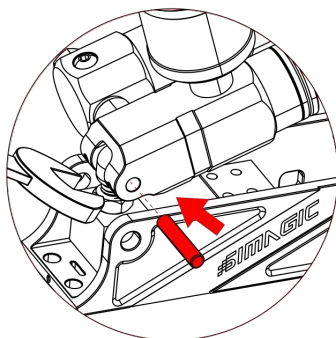
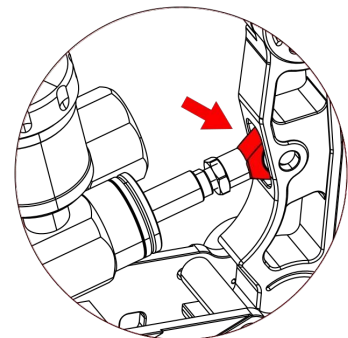
3.3.1 P-HYS Installing the hydraulic brake



1. Use the included wrench to remove the ball head from the sensor

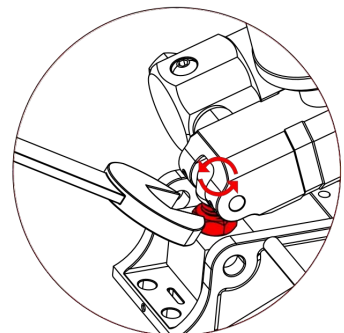
2. Replace the Ball Head connector with the P-HYS Connector

3. Place the ball head into the slot (clevis pin isn't required yet)

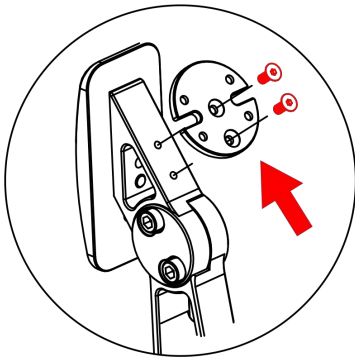


4. Align the pin holes on both the connector and P-HYS then insert the pin (this will keep everything aligned for the next step)

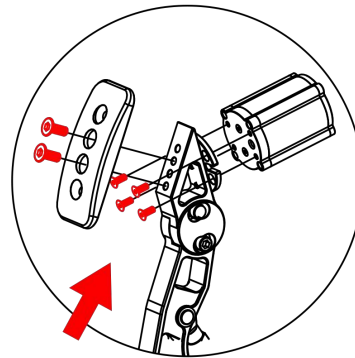
5. Tighten the jam nut on the P-HYS sensor connector using the supplied wrench



3.3.2 P-HPR Installation

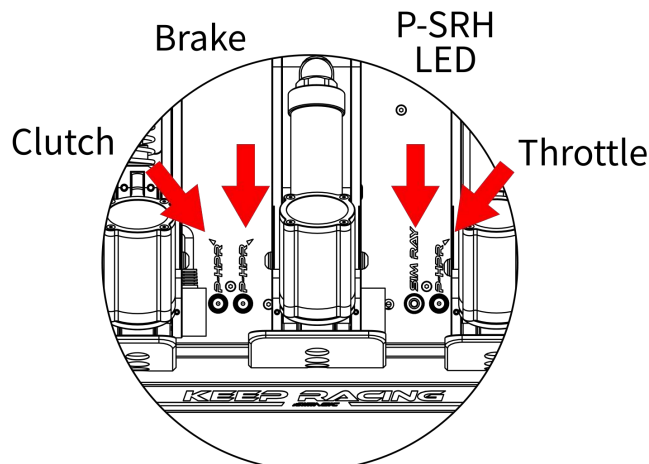


Install the P-HPR mounting plate using two Flat Head Socket Cap Screws(M4-10) as shown in the figure



Remove the two screws holding the pedal plate, then use four Flat Head Socket Cap Screws (M4-10) to assemble P-HPR

Connection

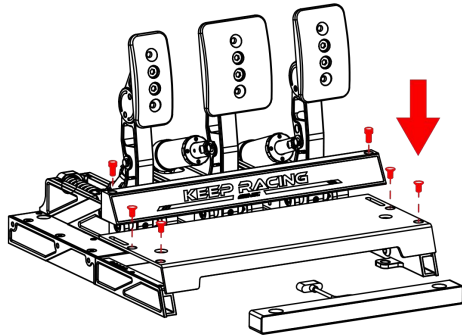


Each pedal's P-HPR should be connected to the appropriate port on the base plate

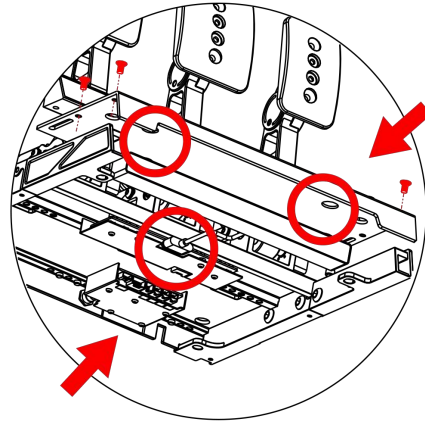
Cable Organization

Stick the included Cable Clip to the pedal body and attach the P-HPR cable for better organization

3.3.3 P-SRB Installation

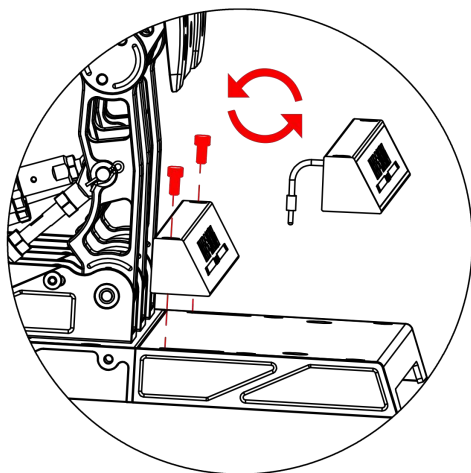


Remove the Heel Stop and mounting screws on the bottom plate as shown

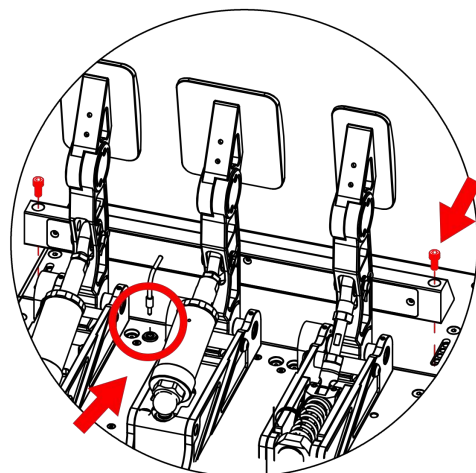


1. Attach the P-SRB to the bottom plate using the magnetic connection
2. Connect the data cable to the magnetic port
3. Reassemble the bottom plate and the Heel Stop

3.3.4 P-SRH Installation

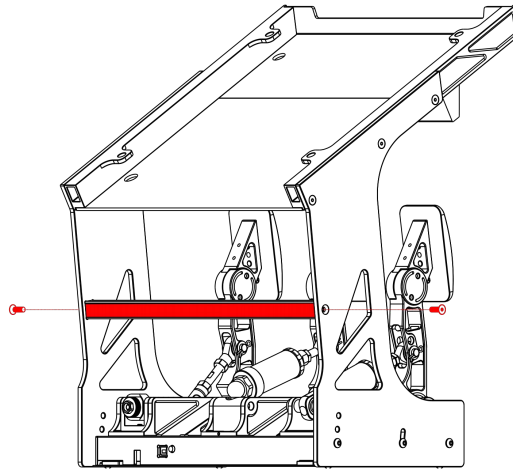


Remove the original Heel Stop by removing the two mounting screws

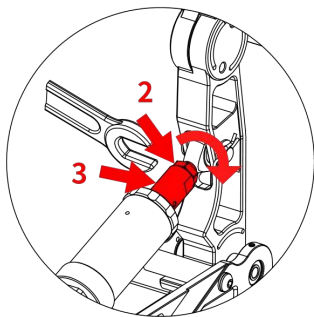


Install the P-SRH at your preferred Heel Stop position and connect it to the SIM RAY interface

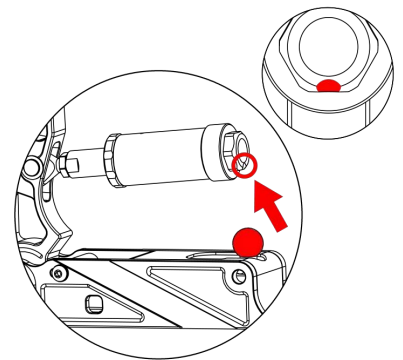
3.3.5 P-HYS Removing the rubber brake cylinder



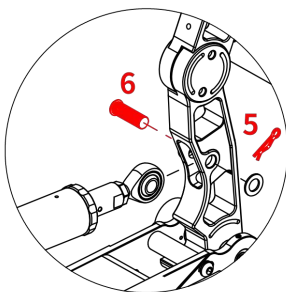
1. Loosen the two screws on both sides of the reinforcement bar with an Allen Key, remove the bar, then place the pedals in the inverted position



2. Loosen the jam nut on the back of the Brake, then spin the silver rod clockwise until completely loosened

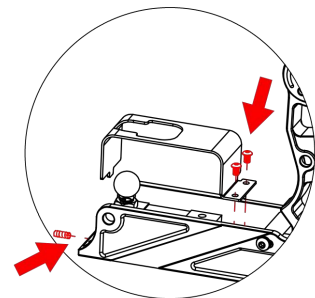


4. Lift the brake cylinder up then proceed to the next step (When disassembling and assembling, note that the groove at the arrow is facing down)

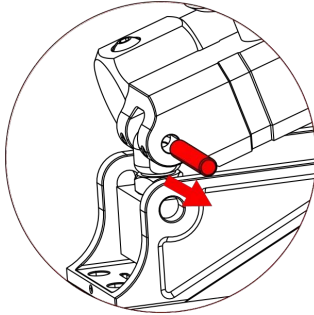


5. Remove the locking cotter pin from the Clevis pin

6. Remove the Clevis pin from the pedal arm



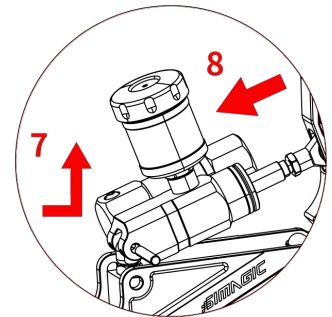
7. As shown in the figure, remove the top two screws and loosen the locking screw. Remove the protective cover from the Load Cell



6. With the P-HYS sensor connector now secured, remove the pin from the assembly

7. Lift the rear part of the P-HYS cylinder upwards

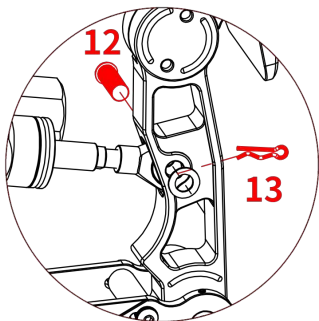
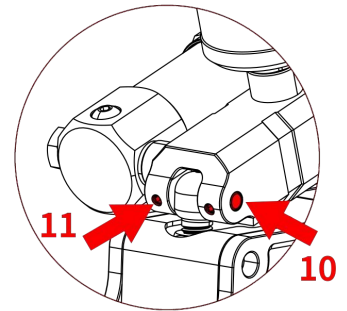
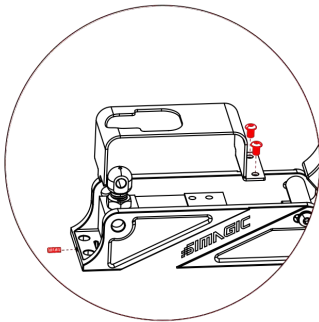
8. Slide the cylinder off the pedal arm, then remove the P-HYS cylinder from the frame



9. Install the sensor protector

10. Align the P-HYS and insert the pivot pin

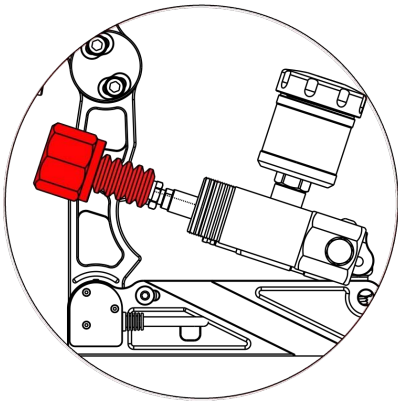
11. Tighten the two locking screws to secure the pin and cylinder



12. Insert the lock core

13. Insert the lock

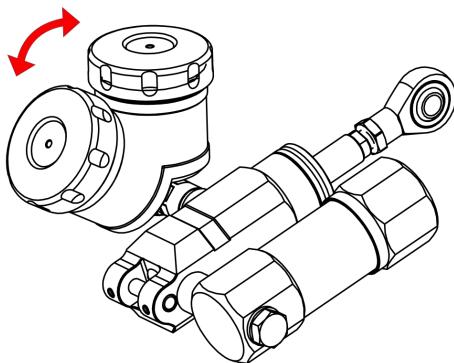
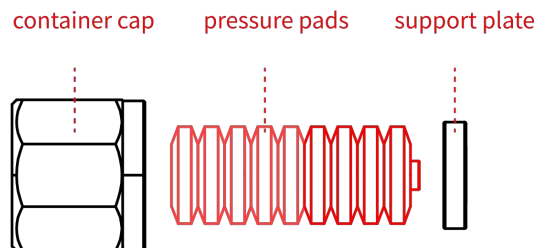
3.3.6 Changing the Pressure Pads



1. Loosen and remove the preload cap, then remove the pressure pads from the container (if the pressure pads are stuck to the cap, simply pry it off)

 **Warning!** Don't step on the pedals after the pressure pads are taken out!!

2. Using the suggested combinations, create and place the new pressure pads onto the preload cap, then insert the preload cap into the container and tighten the cap



3. When using P-HYSi, the oil pot must be positioned perpendicular to the ground to avoid oil leaks

4. Software

Simpro Manager will automatically notify you if there are available updates for the software. If you want to double-check, please go to www.simagic.com/download and download the newest version. Simpro Manager has a built-in feature that allows you to update the firmware on your devices automatically.



Scan QR Code

5. Warranty Description

Warranty Terms

The warranty period is **12 months** from the date of purchase. During the warranty period, if there are issues with the machine's components, materials, or craftsmanship under normal use and maintenance, and the problem is confirmed after inspection, the company will provide free repairs and replacement parts.

SIMAGIC product's Serial Number (S/N) will serve as the primary identifier for after-sales support. You can locate the S/N on the product packaging and the product itself, attached via a sticker on the product surface. Simply provide the 10 or 14-digit S/N to our customer service team or SIMAGIC distributor when applying for after-sales service, and they will assist you promptly.

For users who have products with serial numbers, there's no need for warranty cards. However, if your product does not have a serial number, you will need to retain your warranty card for after-sales support.



Your product's serial number can be found on the label sticker of wrapping

** Consumer Law. This Limited Warranty gives you specific legal rights, and you may have other rights that vary by your country, province or state, as applicable. Other than as permitted by law, Simagic does not exclude, limit or suspend other rights you may have. For a full understanding of your rights, you should consult the laws of your country, province or state, as applicable.*

5. Warranty Description

Warranty Terms

SIMAGIC establishes dealer terms and consumer product warranty terms, requiring official partners such as dealers and agents to provide consumers with standardized SIMAGIC warranty services to safeguard consumers' legal rights.

For information on authorized dealers, please visit www.simagic.com/experience. SIMAGIC adheres to a service spirit that is responsible for users and ensures user confidence, striving to create the ultimate user experience. Regarding these warranty terms, if adjustments are necessary, we regret that specific notifications may not be provided.

Please refer to the latest content released through official channels such as the official website. Please avoid causing damage to the machine intentionally. Do not deviate from the guidance of official or officially authorized personnel when performing non-normal hardware or system operations on the machine. For detailed usage instructions, please visit www.simagic.com/pro-tutorial.

Disclaimer

The Limited Warranty does not apply to any:

- a) Damage to the machine caused by incorrect installation or operation.
- b) Repairs, modifications, alterations, or self-replacement of any internal components by non-technical personnel of the company.
- c) Alteration of the machine serial number or inconsistencies with this certificate.
- d) Damage caused by negligence, water, or infiltration of other substances into the machine. Malfunctions or damage caused by accidents or natural disasters.
- e) Users are prohibited from personally opening the machine's casing, as doing so may void the warranty and other guarantees.

6. Safety Information

In order to achieve maximum safety while using your P1000 Pedals, We suggest that you adopt the following guidelines:

- Should you have trouble using the product properly and troubleshooting does not work, unplug the power and go to your local distributor for support. Do not attempt to service or fix the product yourself at any time.
- To prevent fire or shock hazard, never expose the pedals to rain or moisture.
- Only use the power and/or accessories included in the package, and/or purchase accessories made and/or approved by the manufacturer.
- Only use AC power provided by a standard wall outlet to avoid damage to the product.
- When terminating use, please turn off the buttons and power equipment to prevent accidents.
- Unplug the unit during a lightning storm or if it will not be used for a long period of time.
- Do not take apart the phone (doing so will void your warranty), component replacements must be carried out or authorized by SIMAGIC's official repair center.
- Children under 6 years old are prohibited from using this device.

When using the simulator, please pay attention to the following:

- The device has significant force feedback and contains small components. Children under 15 years old are prohibited from operating or using it independently. When in use, parents must adjust the force feedback parameters in child mode and supervise.
- For first-time users, adjust the force feedback gradually to an appropriate level.
- First-time users or those experiencing the device should be guided by the device owner.
- Loose clothing items such as hair, cables, skirts, etc., should be kept away from the simulator.



- If you have a history of epilepsy or seizures, consult a doctor before use. Certain patterns may trigger seizures with no prior history. If you experience any symptoms, please stop using the product immediately and consult a doctor.
- When using a high-torque base, the peak force feedback may cause hand injuries. If the feedback is too strong, release your hands immediately and adjust the feedback intensity parameters promptly to prevent potential accidents.
- The equipment contains moving parts, pinch points, and sharp edges that may cause personal injury. Operate with caution to prevent pinching, bruising, kicking, smashing, or other bodily injuries.
- It is recommended to limit the force feedback gaming time from 20 to 40 mins to avoid health risks from excessive use.
- Users should refrain from driving a real car for at least 1 hour after finishing the game.
- If any abnormalities are detected, stop using the device immediately and seek assistance from SIMAGIC's official or authorized service center.
- Please follow SIMAGIC's official website and public platforms for the latest product information.

6. Contact us

Discord



Facebook



Instagram





Copyright © 2023 SIMAGIC Tech Co.,Ltd. All Rights Reserved.

The products and corporate names mentioned in this manual may or may not be registered trademarks or copyrights of their respective companies. They are used solely for the purposes of identification or explanation, and to the benefit of the owners, without any intention of infringement.

The specifications and information provided in this manual are intended for informational purposes only and are subject to change at any time without notice. They should not be interpreted as a commitment by SIMAGIC. SIMAGIC assumes no responsibility or liability for any errors or inaccuracies that may appear in this manual, including those related to the products and software described within it.

SIMAGIC shall not be liable for any lost profits, loss of information or data, special, incidental, indirect, punitive, or consequential damages arising in any way out of the distribution, sale, resale, use, or inability to use the Product. In no event shall Simagic's liability exceed the retail purchase price of the Product.