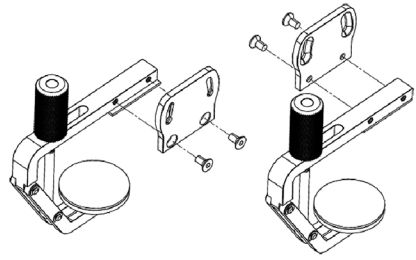


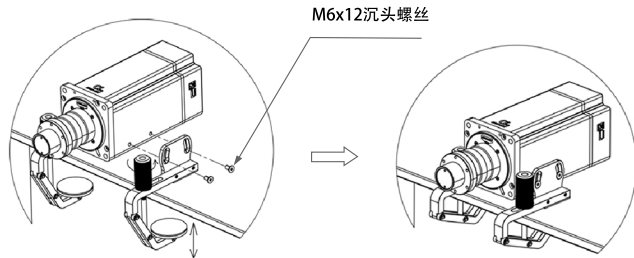
沉头螺丝 (M6-12 X 4)



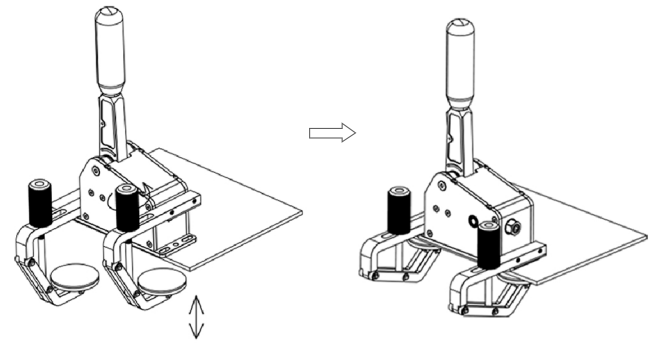
桌面夹具 X 2



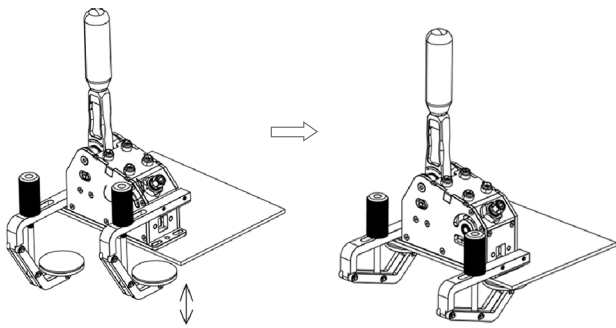
P-DFT安装基座



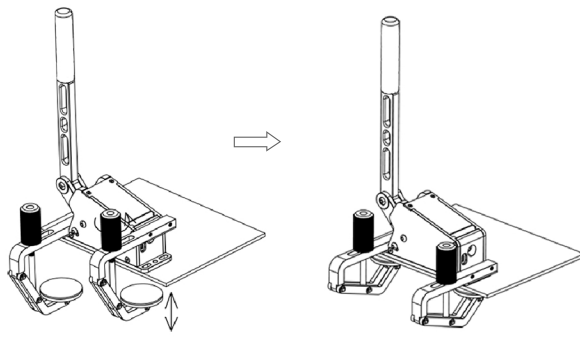
P-DFT安装Q1S序列挡



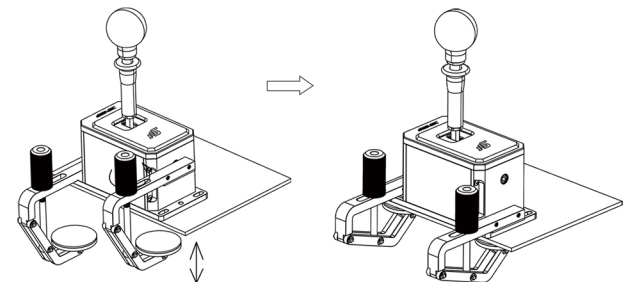
P-DFT安装Q1序列挡



P-DFT安装TB-1手刹序列挡



P-DFT安装DS-8X排挡

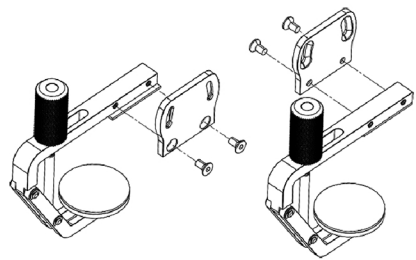


P-DFT Quick Guide

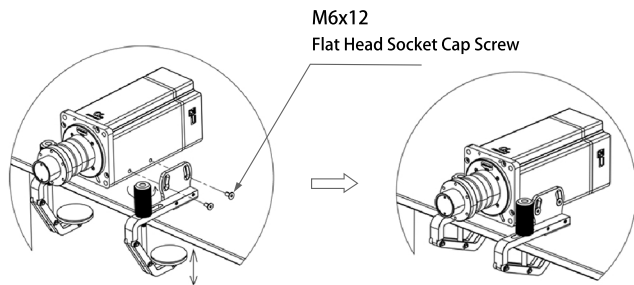
Flat Head Socket Cap Screw
(M6-12 X 4)



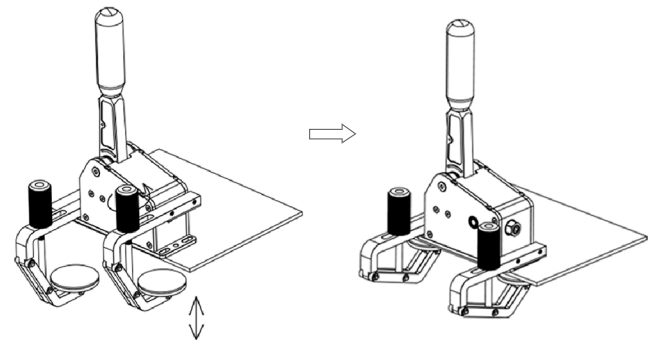
Multifunctional Desk Fixture X2



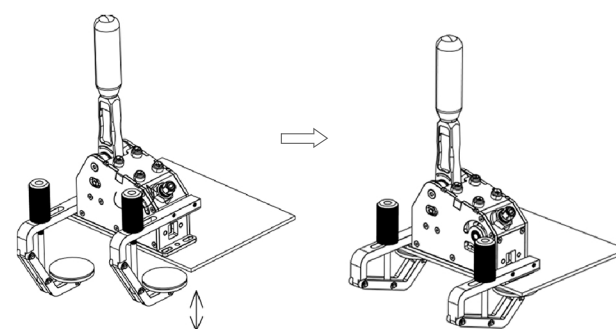
Install the P-DFT on a Wheelbase



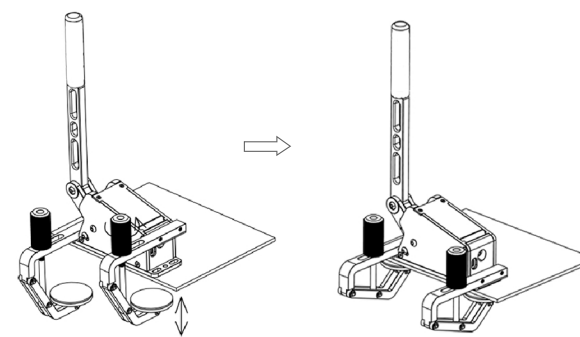
Install the P-DFT on a Sequential Shifter Q1S



Install the P-DFT on a Sequential Shifter Q1



Install the P-DFT on a TB-1 Handbrake



Install the P-DFT on a DS-8X Shifts

