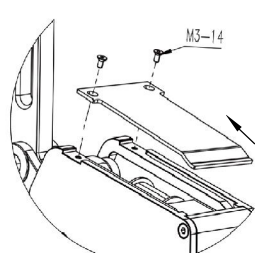
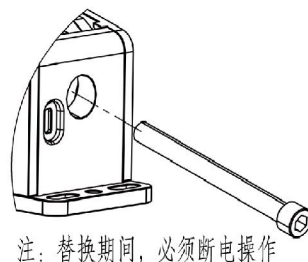


### 更换胶体

① 拆下盖板

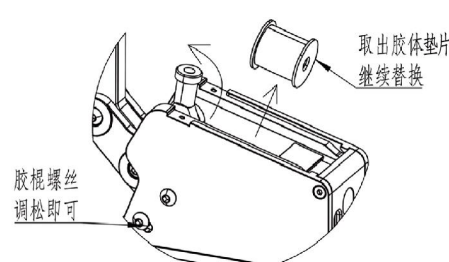


② 取出螺丝

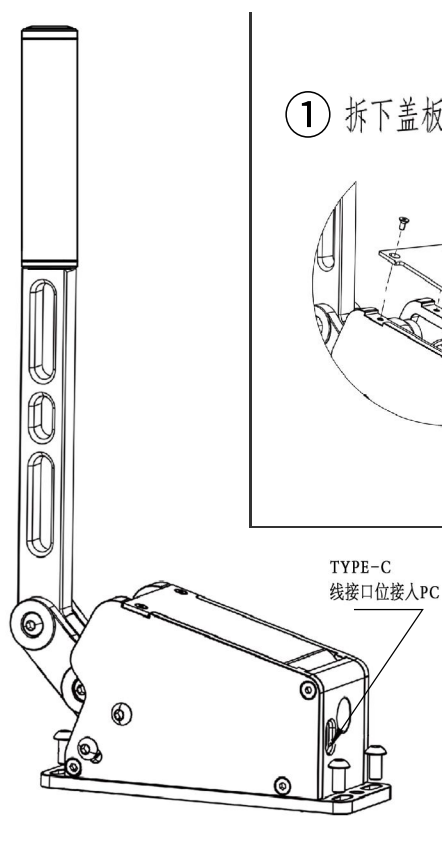


注：替换期间，必须断电操作

③ 更换胶体



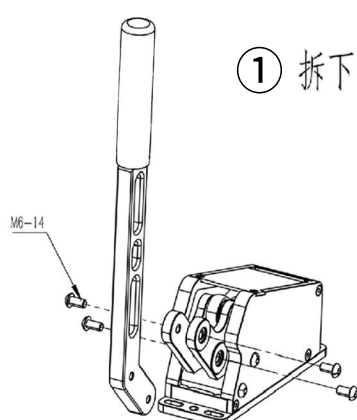
胶棍螺丝 调松即可



TYPE-C 线接口接入PC

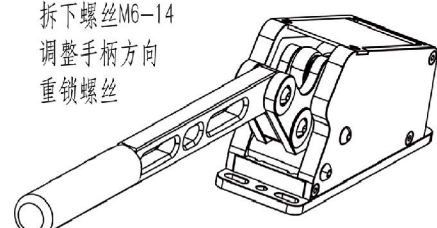
### 转换手刹方向

① 拆下手柄



② 调整安装

拆下螺丝M6-14 调整手柄方向 重锁螺丝



- A. 圆头螺丝 M6-14 X4
- B. 型材螺母 M6-40 X4

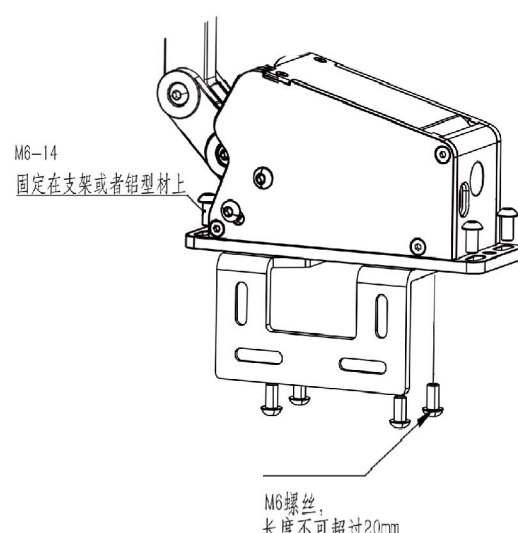
### 微调拉杆



通过此孔位调节拉杆角度

### 安装与固定

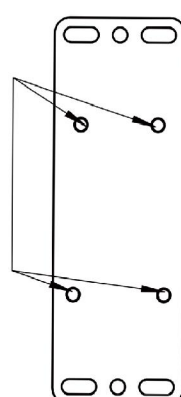
注：此L板可额外购买



M6螺丝, 长度不可超过20mm

底板

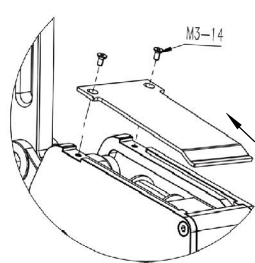
此孔为M6的螺纹孔 长度不可超过20mm



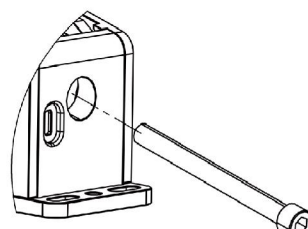
访问 Simagic.com 下载最新驱动，获取更多使用说明

### Rubber Replacement

① Remove the front plate

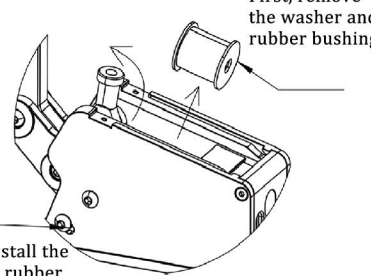


② Remove the bolt

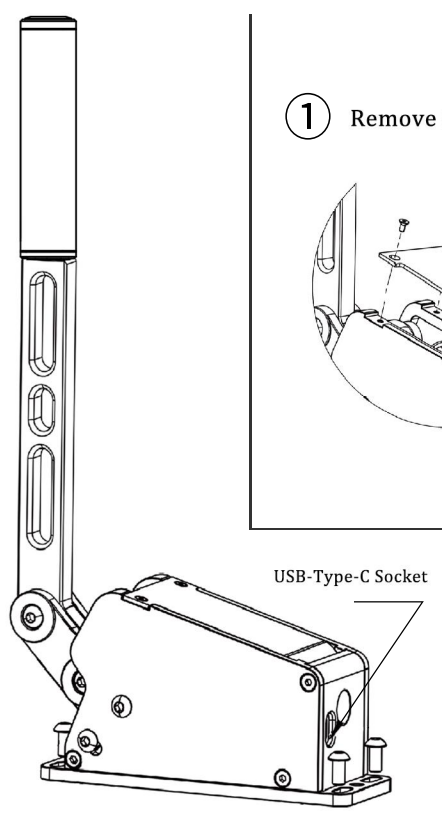


Note: Make sure the power is OFF during the replacement

③ Swap the rubber



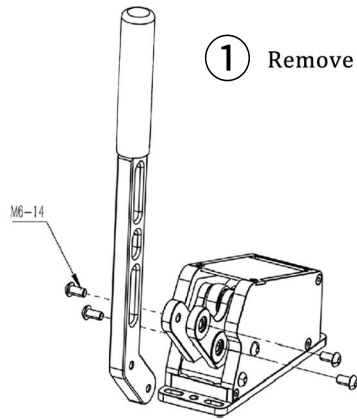
Next, install the desired rubber bushing to adjust the resistance of the Handbrake



USB-Type-C Socket

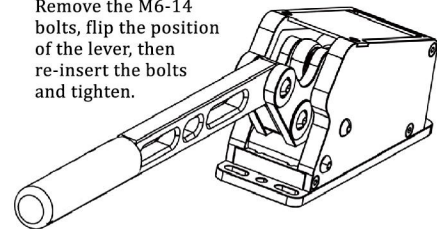
### Switching lever position

① Remove the lever

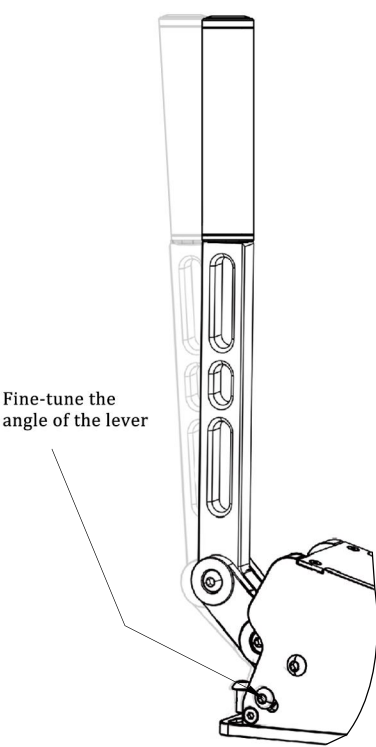


② Flip the lever

Remove the M6-14 bolts, flip the position of the lever, then re-insert the bolts and tighten.



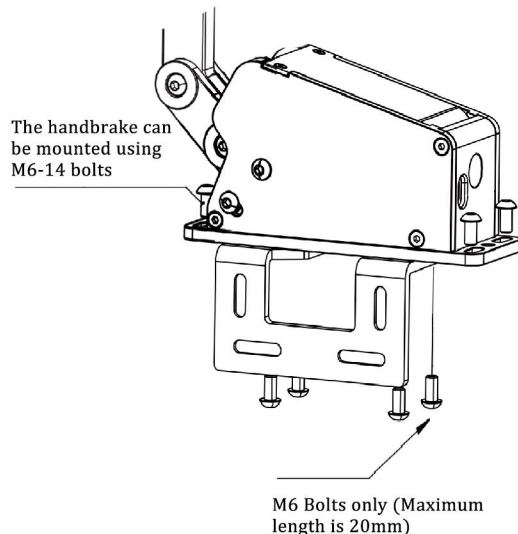
### Adjust the lever



Fine-tune the angle of the lever

### Mount and Install

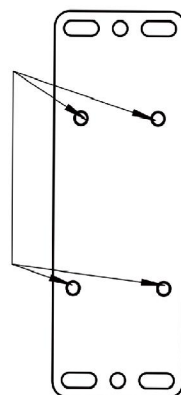
\* Note: The L-shaped mounting plate can be purchased separately \*



M6 Bolts only (Maximum length is 20mm)

Bottom View

M6 Bolts only (Maximum length is 20mm)



Download the latest Driver and know more about the product at Simagic.com