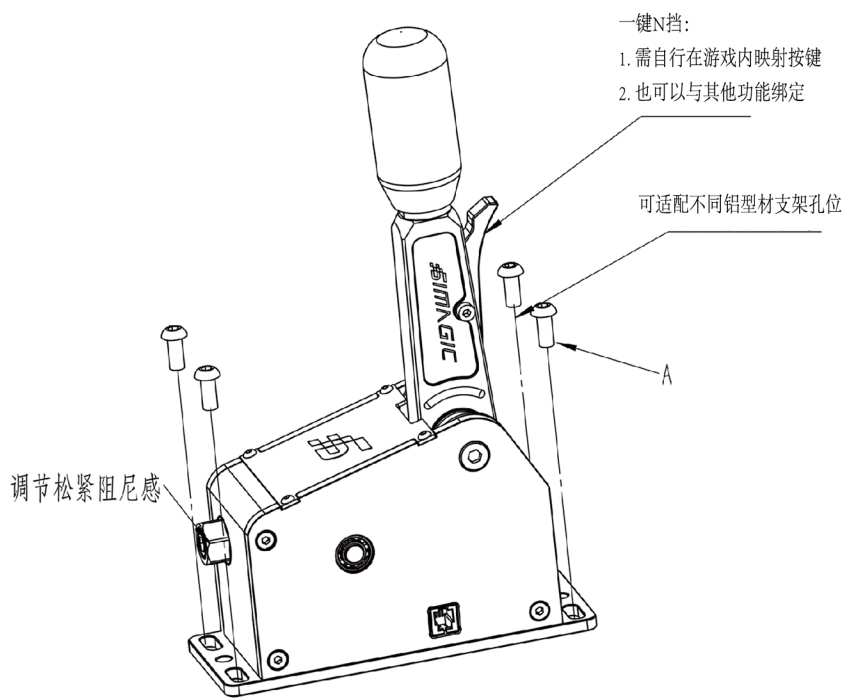
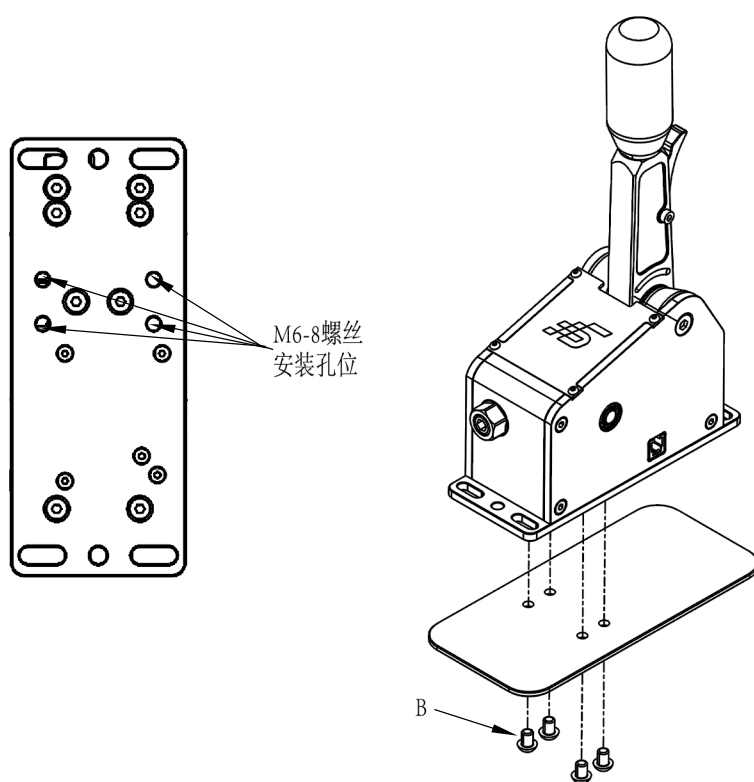




A. 圆头螺丝M6-14 X 4



B. 圆头螺丝M6-8 X 4



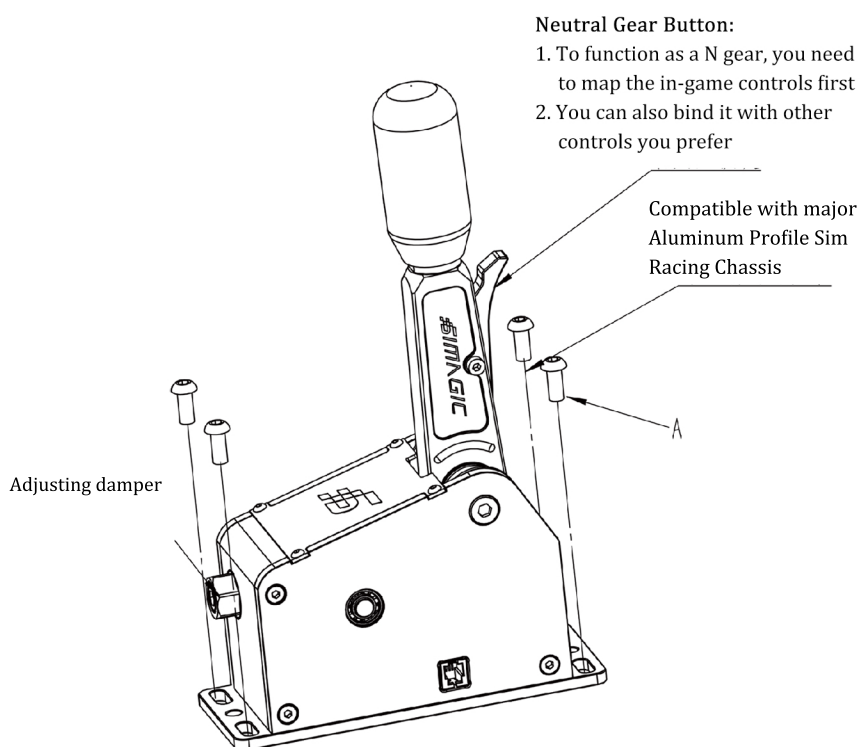
**注意:**

尝试安装固定Q1S序列挡时, 请使用自带的 M6-8螺丝。

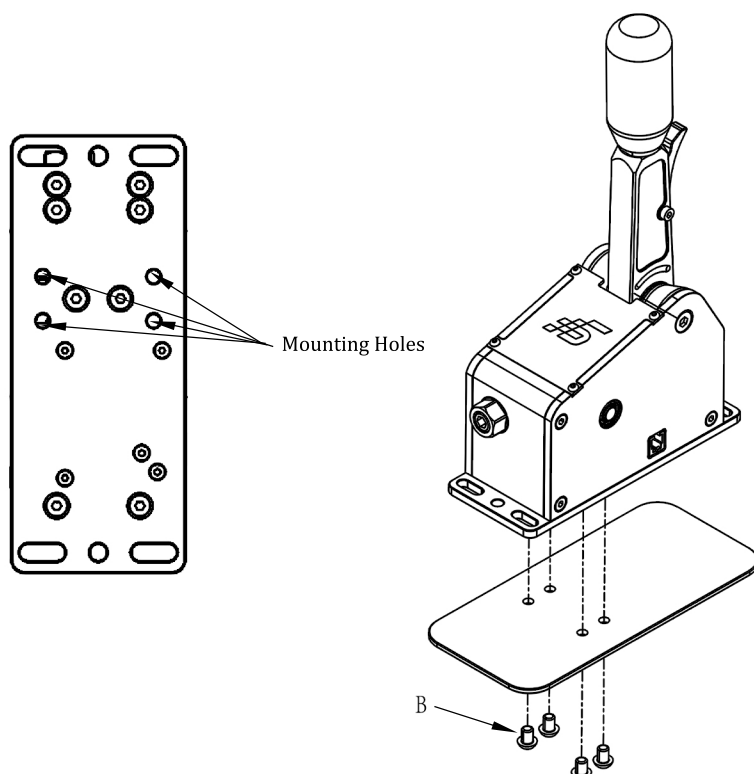
请勿使用长度超过8毫米的螺丝, 以免挤压内部电路板, 导致产品的不可逆损伤



A. Round edge screw (M6-14 x4)



B. Round edge screw (M6-8 x4)



**Attention:**

When mounting your Q1S Sequential Shifter, Please always use the M6-8 bolts included in the package.

Using bolts longer than 8 mm will crush and break the PCB (Printed Circuit Board) inside.