

SIMAGIC

maglink™

快速指南

1.0 配件清单

沉头螺钉M5-16*6

盘头螺钉M5-10*2

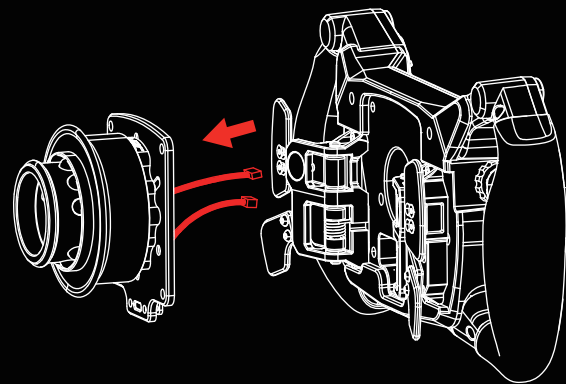
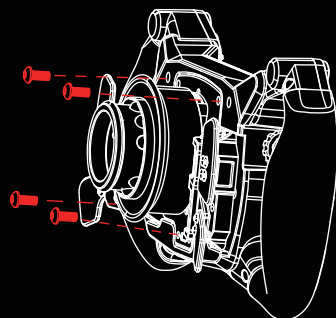
型材螺母M5-40*2

六角扳手*1(3mm)

2.0 连接方向盘

2.1 拆卸快拆与转接板

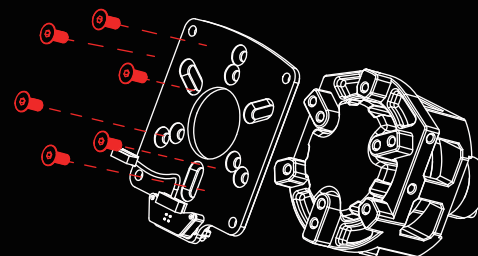
将转接板上的4颗圆头螺钉拧松卸下



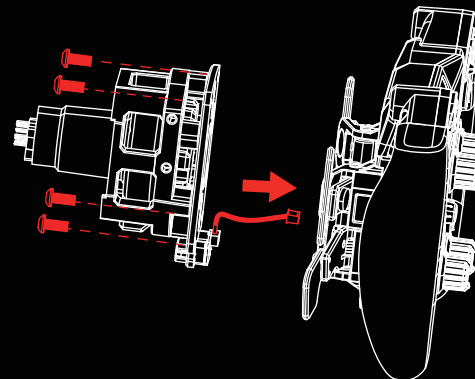
拔掉方向盘上连接线的端子
(注意:需轻拔以免损坏端子)

2.2 安装Maglink

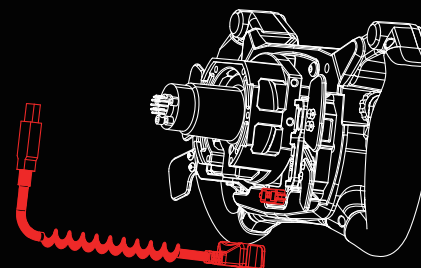
将Maglink的转接板,对准所需使用的快拆的孔位,用配件包里的沉头螺钉将转接板与所需要使用的快拆锁紧



把Maglink转接板的连接线的端子插入方向盘,对准方向盘安装孔位,使用步骤2.1中卸下的4颗圆头螺钉将其与方向盘锁紧



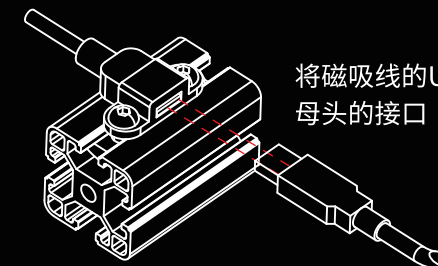
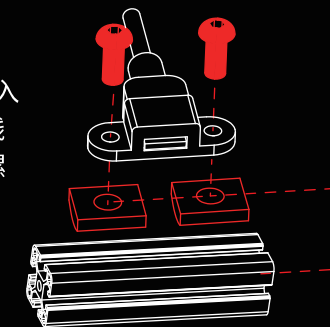
将Maglink磁吸线的磁吸端口对准转接板的磁吸口进行连接,磁吸线的USB端可接入电脑或USB延长线。



磁吸端口对准转接板的磁吸口,即可磁吸连接

2.3 USB延长线安装

将配件包中的型材螺母放入型材内,然后将USB延长线的母头放置在型材上,用螺丝将其与型材锁紧



将磁吸线的USB端插入延长线母头的接口

注意:使用该产品需要在PC端下载并安装Simpro Manager进行设置

软件及应用



在PC端安装
SimPro Manager
进行设置



产品教程
(更多相关资料扫码查看)

SIMAGIC

maglink™

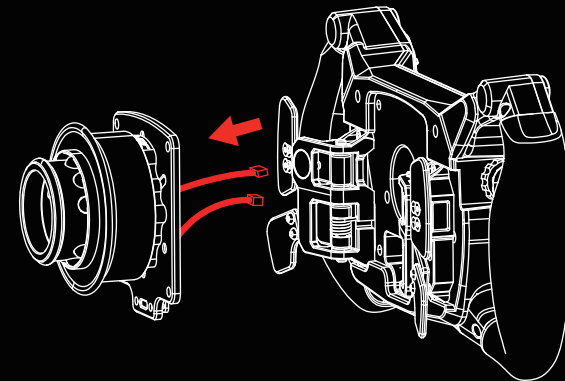
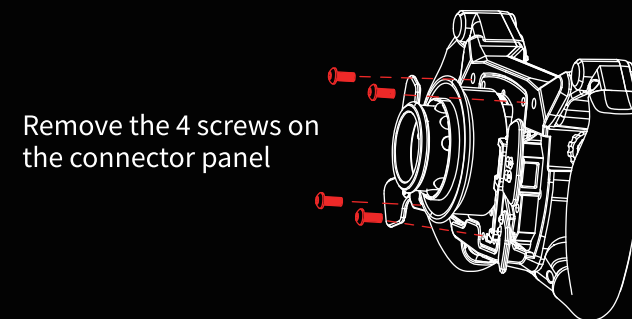
Quick Guide

1.0 Accessories list

- Countersunk Head Screw M5-16*6
- Pan Head Screw M5-10*2
- Roll in T-Nut with Ball Spring M5-40*2
- Allen key*1(3mm)

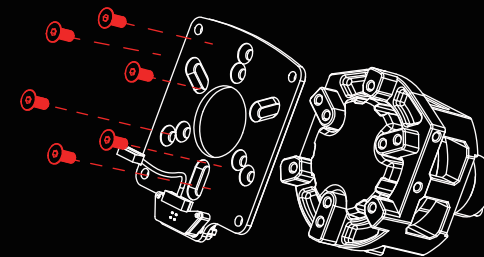
2.0 Connecting the steering wheel

2.1 Remove the quick disconnect and adapter plate



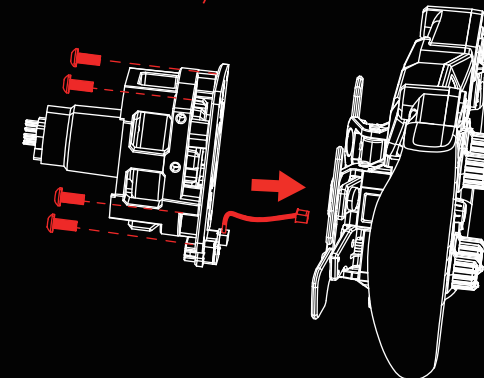
2.2 Maglink Installation

Secure the desired quick release to the Maglink connector panel with the included Truss head screws

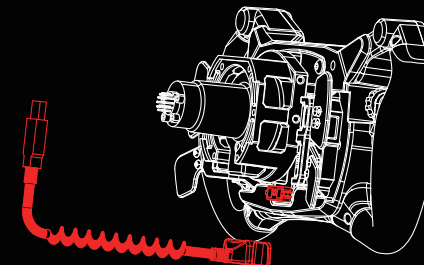


Install the Maglink panel on the wheel and secure with the screws removed from step 1

(Note: Maglink connector cable has to be plugged in before installation)

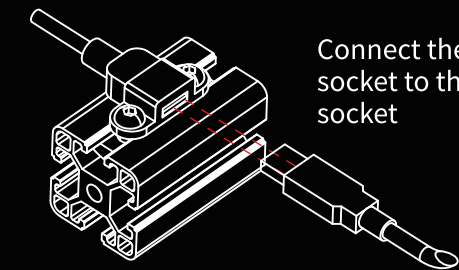
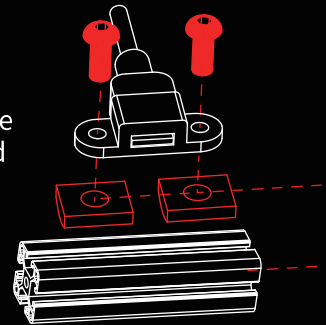


Install the coiled cable by connecting the magnetic socket to the wheel and the USB socket to the PC or USB extension cable



2.3 USB extension cable installation

Insert the T-nuts into the section bar, then place the USB extension cable head on top of the slot, and secure it with screws



Connect the Maglink USB socket to the extension cable socket

Note: A complete SimPro Manager installation and setup on PC is required for the full functionality of Maglink

Software & applications



Install SimPro Manager on the PC to setup



Product Tutorial
(Scan the QR code to view more related information)