

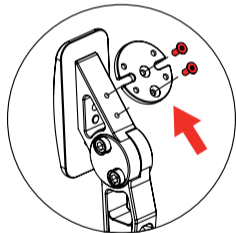
1.0 配件清单

沉头螺丝M4-10*6

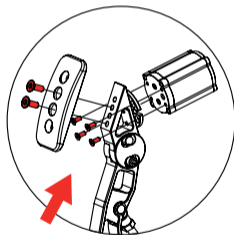
六角扳手*1 (2.5mm)

大线卡*2

2.0 安装

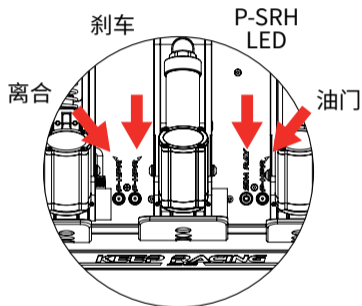


如图所示，
使用两颗沉头螺丝M4-10
安装P-HPR转接配件



先拆除踏板面
四颗沉头螺丝M4-10
装配P-HPR

3.0 接线



接入相应踏板的数据接口

4.0 理线

可使用配件中的大线卡黏贴在踏板主体，整理数据线走向

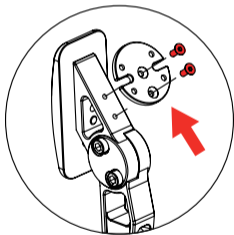
1.0 List of accessories

Flat Head Socket Cap Screw(M4-10)*6

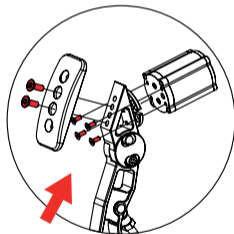
Allen Key*1 (2.5mm)

Cable Clip*2

2.0 Installation

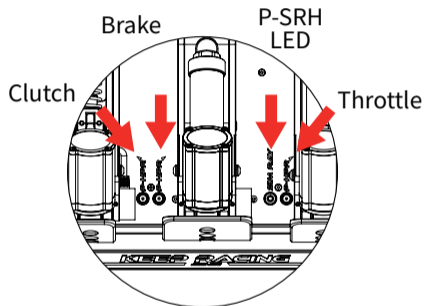


Install the P-HPR mounting plate using two Flat Head Socket Cap Screws(M4-10) as shown in the figure



Remove the two screws holding the pedal plate, then use four Flat Head Socket Cap Screws (M4-10) to assemble P-HPR

3.0 Connection



Each pedal's P-HPR should be connected to the appropriate port on the base plate

4.0 Cable Organization

Stick the included Cable Clip to the pedal body and attach the P-HPR cable for better organization