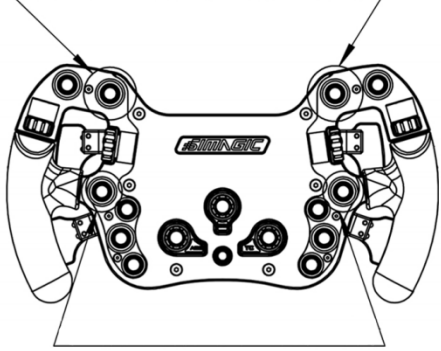


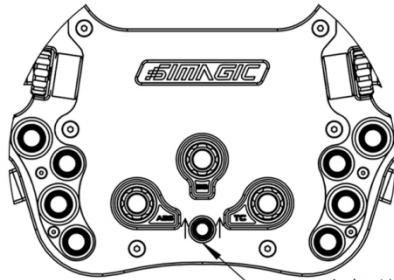
自动对频与功能自检

同时按住5秒以上进入自动对频识别



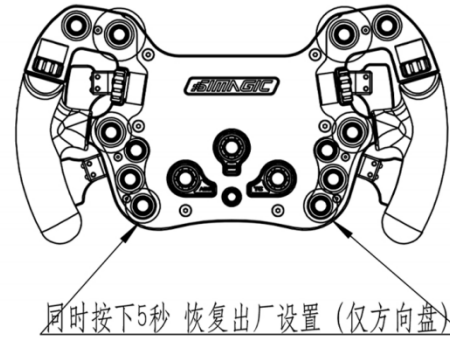
同时按住5秒进入功能检测模式。按键、旋钮、拨片正常运行时，进行任意操作会使灯光进行切换

离合校准模式



七向开关向上按5秒进入离合校准模式

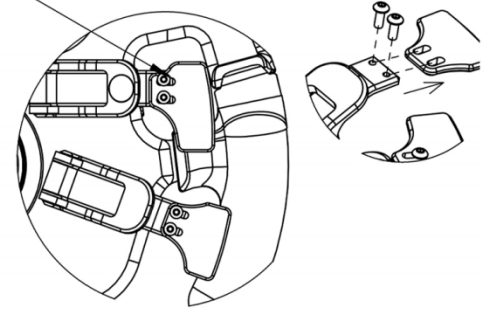
恢复出厂设置



同时按下5秒 恢复出厂设置 (仅方向盘)

拨片调节

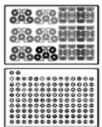
拨片可以由此自由调节长短位置



wheel x 1



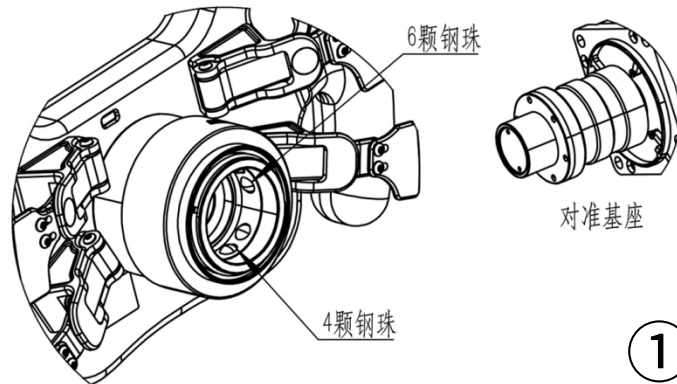
USB-C X 1



贴纸X2

方向盘与基座连接

方向盘快拆结构为上6颗钢珠，下为4颗钢珠



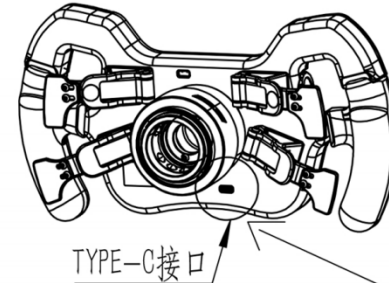
6颗钢珠

4颗钢珠

对准基座

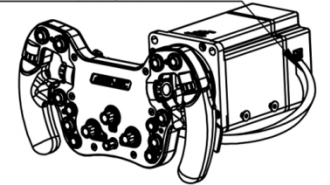
1

如对频无响应，使用附带的USB-C线接入方向盘背面接口



TYPE-C接口

接入基座右侧的USB接口



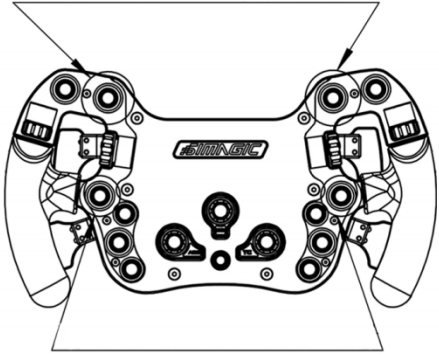
2

扫码获取
“SimPro Manager”
使用教程



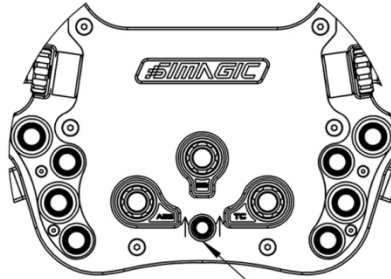
Auto-matching & Troubleshooting

Press down the two buttons simultaneously for 5 seconds to start auto-matching



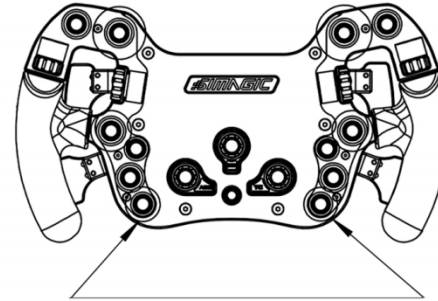
Press down the two buttons simultaneously for 5 seconds to enter Troubleshooting mode. When the mode is on, the lights keep switching to indicate a button or rotary is in working conditions or not.

Clutch Calibration Mode



Push upwards the 7-way position switch for 5 seconds to enter Clutch Calibration Mode

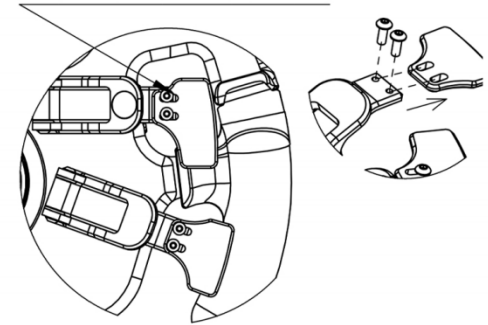
Factory Reset



Press down the two buttons simultaneously for 5 seconds to reset to factory settings (only for the wheel)

Paddle adjustments

Paddles are adjustable horizontally and vertically



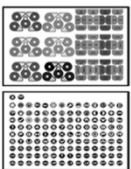
Connection between Steering Wheels and Wheelbases



Steering Wheel X 1

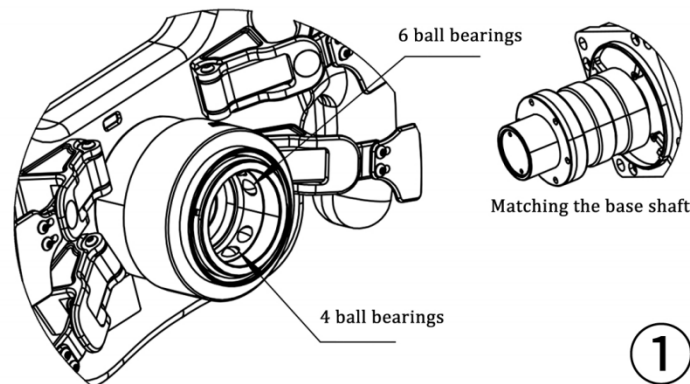


USB-C X 1



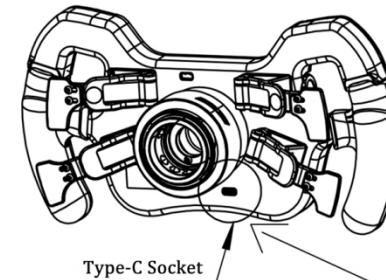
Button Stickers X2

The SIMAGIC Quick Release has 6 ball bearings on the upside, with 4 downside

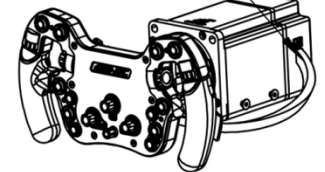


1

If auto-matching does not work, use an included USB-C cable to connect the steering wheel to the base from backside.



Connect to the base from the right side



2