

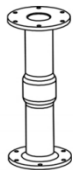
基座 X 1



A. 延长线 X 1

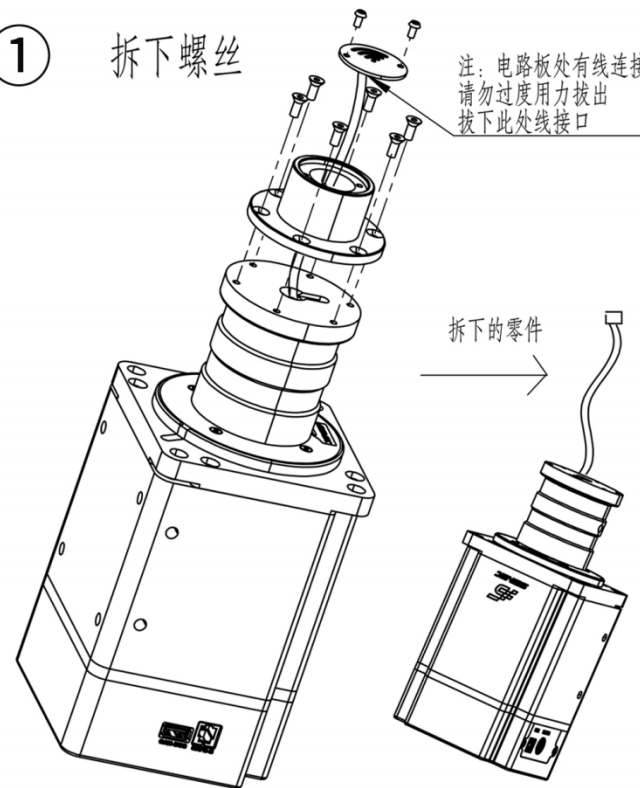


B. 圆头螺丝M4-10 X 6



C. 延长杆 X 1

① 拆下螺丝



注：电路板处有线连接
请勿过度用力拔出
拔下此处线接口



电路板X1



快拆头X1



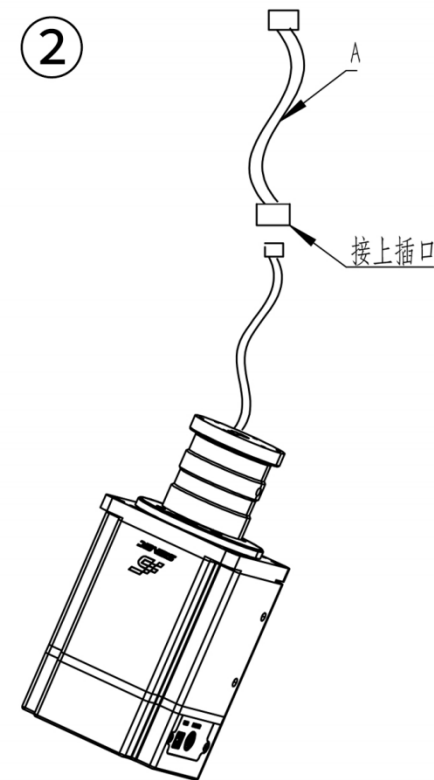
平头螺丝M4-10 X5



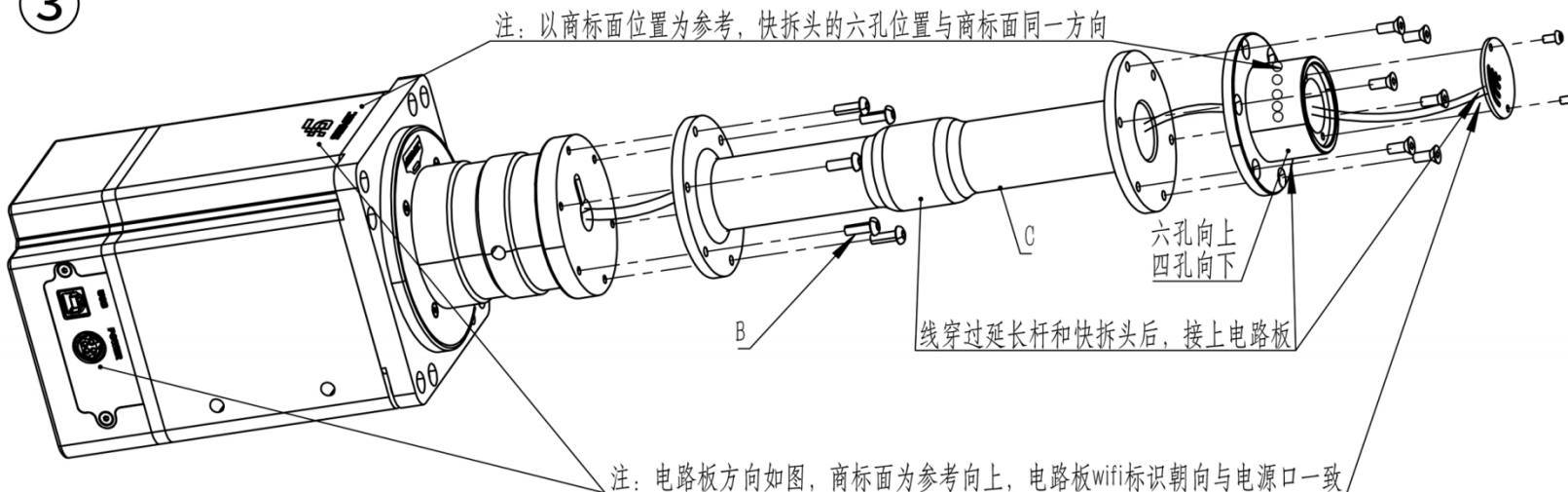
圆头螺丝M3-8 X2

拆下的零件

②



③



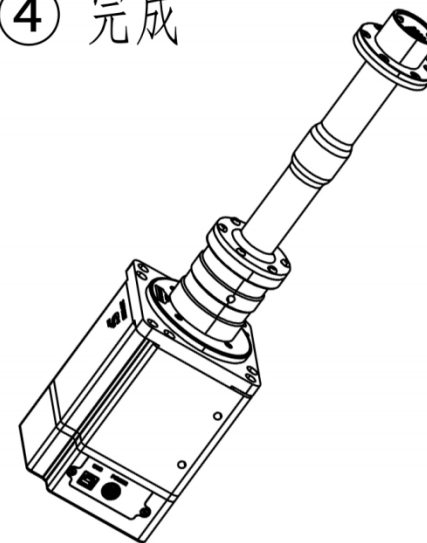
注：以商标面位置为参考，快拆头的六孔位置与商标面同一方向

六孔向上
四孔向下

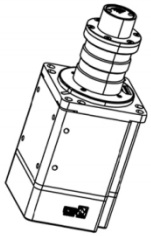
线穿过延长杆和快拆头后，接上电路板

注：电路板方向如图，商标面为参考向上，电路板wifi标识朝向与电源口一致

④ 完成



EXTENSION LEVER INSTALLATION TUTORIAL



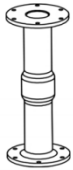
Wheelbase x1



A. Extend wire x1

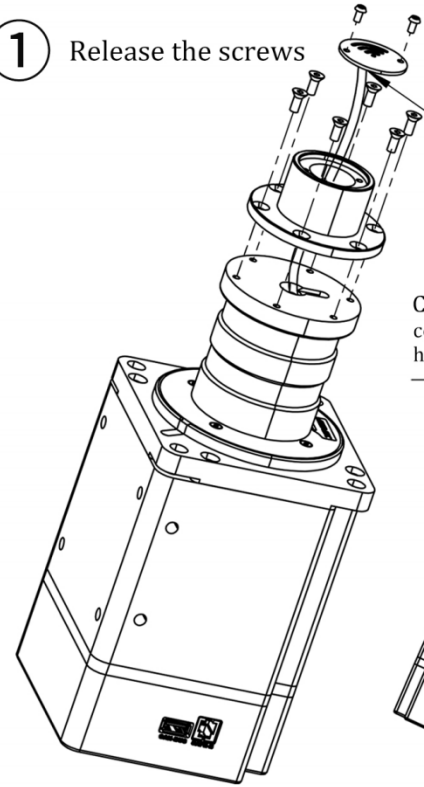


B. Round edge screw (M4-10 x6)



C. Extend pillar x1

1 Release the screws



ATTENTION:
Circuit board is connect with wire.
Do not overdo to lift up the
quick-release part too fast or
remove the plug inside too hard



Circuit board x1



Quick-release part x1



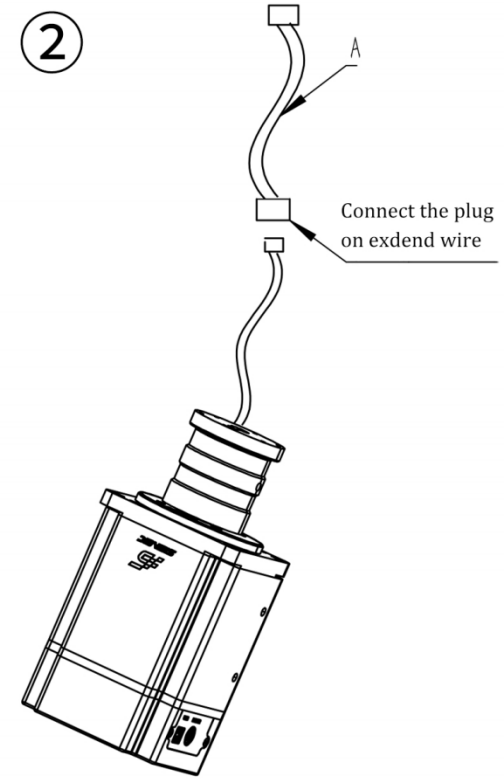
Flat edge screw (M4-10 x6)



Round edge screw (M3-8 x2)

Contact wire
connect to the
hub inside

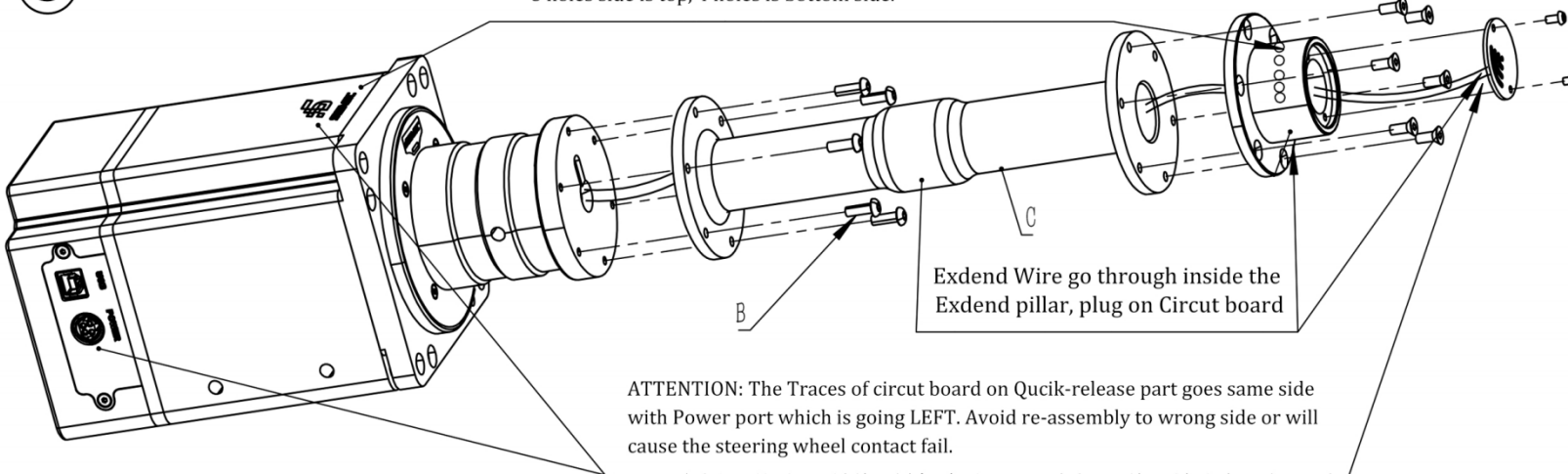
2



Connect the plug
on extend wire

3

Holes contact with the steering wheel of Quick-release part,
6 holes side is top, 4 holes is bottom side.



Extend Wire go through inside the
Extend pillar, plug on Circuit board

ATTENTION: The Traces of circuit board on Quick-release part goes same side
with Power port which is going LEFT. Avoid re-assembly to wrong side or will
cause the steering wheel contact fail.

4

Finish

